

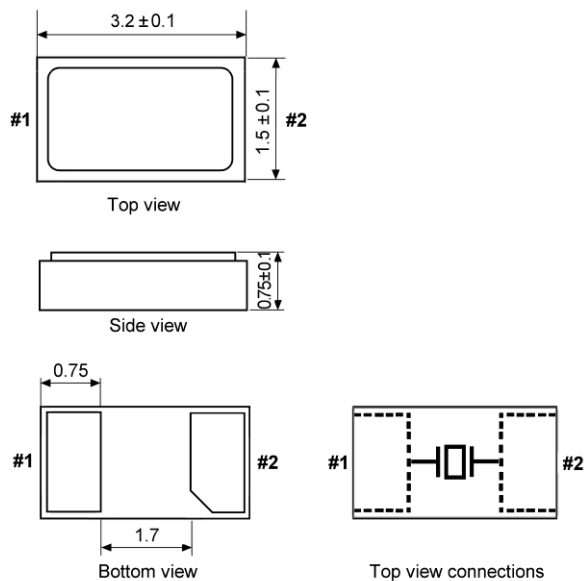


Quartz Crystal

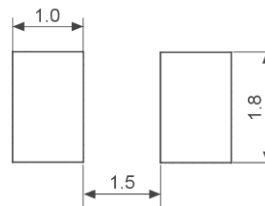
SMD-version

part no.	12.xxxxx
model	KX-327NHT
frequency	32.768 kHz
operating temperature	-40° ~ +85°C
frequency tolerance at +25°C	standard ±20 ppm available ±5, ±10 ppm
temperature tolerance (parabolic coefficient)	$(-0.035 \pm 10\%) \times 10^{-6} / ^\circ\text{C}^2$
turnover temperature	+25°C ±5°C
storage temperature range	-55°C ~ +125°C
load capacitance C_L	7 pF ~ 12.5 pF
motional capacitance (C1) typ.	3.6 fF
shunt capacitance C_0 typ.	1.0 pF
series resistance R1 (ESR)	standard 70k Ohm max.; available 40k, 50k, 60k Ohm max.
aging at +25°C (first year) max.	±3 ppm
drive level	0.1 μW typ, 1.0 μW max.
quality factor (Q) min.	20000
contents of reel	3000 pcs.

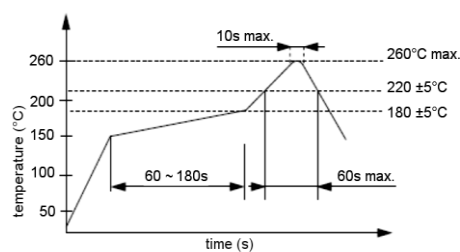
Dimensions (mm):



Suggested soldering pad:



Reflow soldering condition:



Tape specification:

