

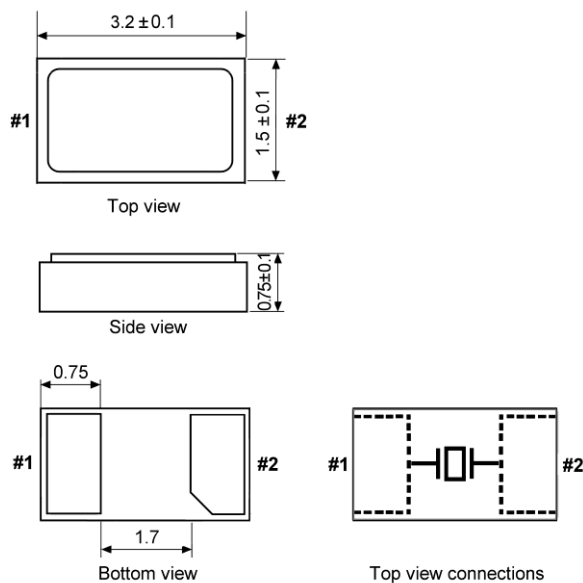


Quartz Crystal

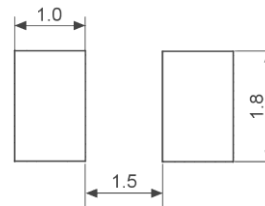
SMD-version

part no.	12.xxxxx
model	KX-327NHF
frequency	32.768 kHz
operating temperature	-55° ~ +125°C
frequency tolerance at +25°C	standard ±20 ppm available ±10 ppm
temperature tolerance (parabolic coefficient)	$(-0.030 \pm 10\%) \times 10^{-6} / ^\circ\text{C}^2$
turnover temperature	+25°C ±5°C
storage temperature	-55°C ~ +125°C
load capacitance C_L	7 pF ~ 12.5 pF
motional capacitance (C1)	3.6 fF
shunt capacitance C_0 typ.	1.0 pF
series resistance R1 (ESR) max.	70 kOhm
aging at +25°C (first year) max.	±3 ppm
drive level	0.1 μW typ, 1.0 μW max.
quality factor (Q) min.	20000
AEC-Q200	qualified
contents of reel	3000 pcs.

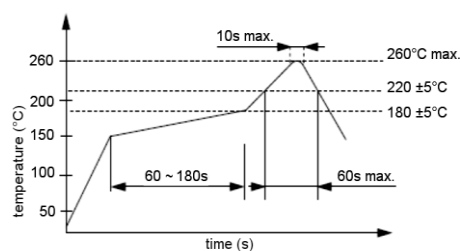
Dimensions (mm):



Suggested soldering pad:



Reflow soldering condition:



Tape specification:

