



Ceramic Resonator

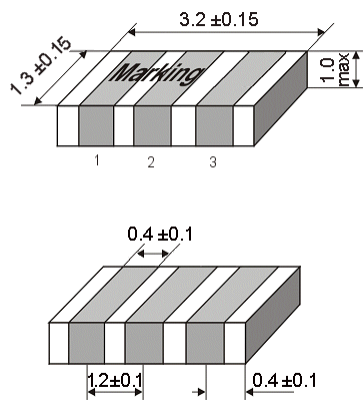
SMD-version
KX-ZTT CE series

Built-in capacitor types

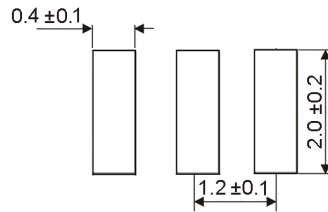
part no.	12.xxxxx
model	KX-ZTT-CE MG
frequency range	8.0 ~ 12.0 MHz
internal capacitance C ₁ , C ₂	standard 15 pF available 10, 22, 30 or 33 pF
frequency tolerance at +25°C	±0.5 %
frequency stability at -25° ~ +85°C	±0.2 %
aging for 10 years	±0.2 %
resonant resistance max.	40 Ohm
test circuit IC	1/TC4069UBP
contents of reel	3000 pcs.

* Please note for Ceramic Resonators our „Precautions for Handling“.

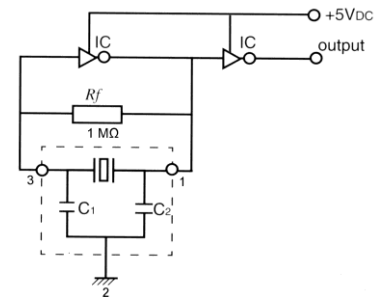
Dimensions (mm):



Suggested soldering pad:

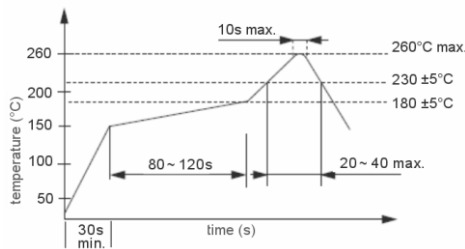


Test circuit:

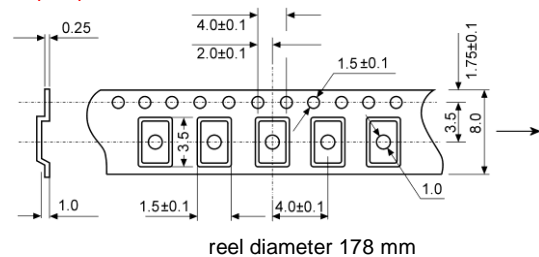


Pin	Connection
1	Input
2	GND
3	OUTPUT

Reflow soldering condition:



Tape specification:



reel diameter 178 mm