

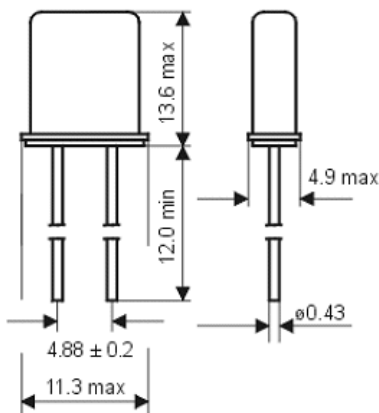


Quartz Crystal

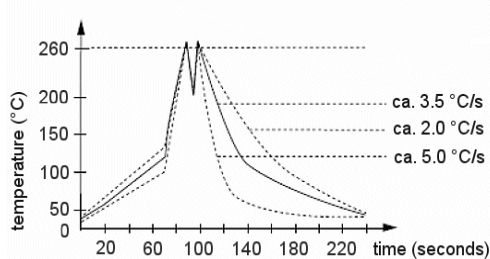
HC-49/U KX-49

part no.	12.xxxxx			
model	KX-49			
frequency range	1.84320 ~ 30 MHz	20 ~ 90 MHz	50 ~ 150 MHz	110 ~ 200 MHz
mode	fundamental	3 rd overtone	5 th overtone	7 th overtone
operating temperature	standard -20° ~ + 70°C available -40° ~ + 85°C (= KX-49T) ; -40° ~ +105°C (= KX-49E) ; -40° ~ +125°C (= KX-49F)			
frequency tolerance at +25°C	standard: ±30 ppm available: ±5 ~ 50 ppm			
temperature tolerance at -20° ~ +70°C, -40° ~ + 85°C, -40° ~ +105°C, -40° ~ +125°C	standard: ±50 ppm available ±10 ~ 150 ppm			
load capacitance C _L	standard: 30 pF avail: 10 ~ 30 pF	20.0~40.0 MHz: 20~30 pF > 40.0 MHz: series	series	
series resistance (ESR) R1 max.	1.8432 600 Ohm 2.0 400 Ohm 2.4576 200 Ohm 3.0 150 Ohm > 4.0 60 Ohm	30 ~ 60 Ohm	40 ~ 70 Ohm	80 ~ 120 Ohm
aging at +25°C (first year) max.	±5 ppm			
shunt capacitance C ₀ max.	7 pF			
drive level max	0.5 ~ 2 mW		0.1 ~ 0.5 mW	

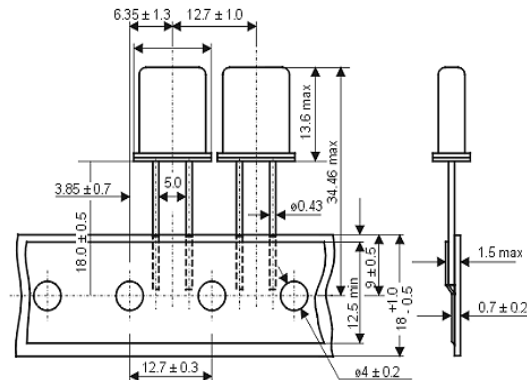
Dimensions (mm):



Wave soldering condition:



Tape specification:



Taped crystals upon request