



VCXO HCMOS

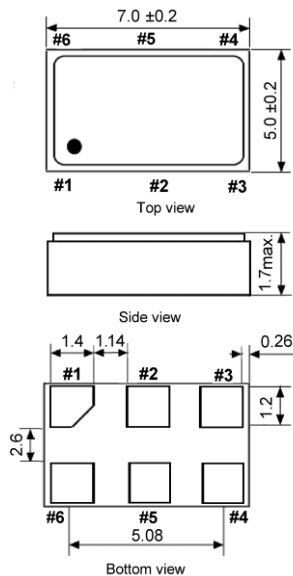
SMD-version

+1.8 / +2.5 / +3.3 / +5 V

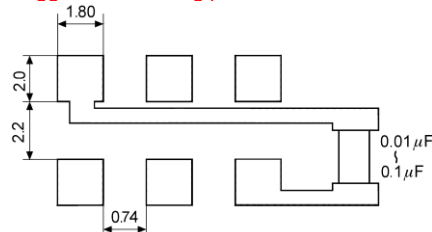
Voltage Controlled Crystal Oscillator

part no.	12.xxxxx		
model	KXO-75R		
frequency range	4.0 ~ 54.0 MHz	1.0 ~ 170.0 MHz	1.0 ~ 100.0 MHz
supply voltage V _{DD}	+1.8 V DC, +2.5 V DC ±5 %	+3.3 V DC ±5 %	+5.0 V DC ±5 %
frequency control voltage (PIN1)	1.25 V ±1.05 V at +2.5 V	1.65 V ±1.35 V at +3.3 V	2.5 V ±2.0 V at +5.0 V
frequency stability	over all parameters ±25, ±50, ±100 ppm over -20°C ~ +70°C / -40°C ~ +85°C (referred to +25°C)		
output	load	15 pF	
	waveform	HCMOS	
operating temperature range	-20°C ~ +70°C -40°C ~ +85°C		
storage temperature range	-55°C ~ +125°C		
supply voltage range	+1.8 ~ +5.4 V		
supply current max.	10 mA at 1.0 MHz ~ 35 mA at 170.0 MHz (no load)		
start-up time max.	5 ms		
symmetry	40 % / 60 % at ½ V _{DD} level		
rise and fall time max.	10 ns		
frequency adjustment (pullability) min.	±50 ppm ~ ±100 ppm		
phase jitter max.	1.0 ps RMS		
phase noise max.	-80 dBc/Hz at 10 Hz -110 dBc/Hz at 100 Hz -135 dBc/Hz at 1 kHz -140 dBc/Hz at 10 kHz -145 dBc/Hz at 100 kHz		
contents of reel	3000 pcs.		

Dimensions (mm):



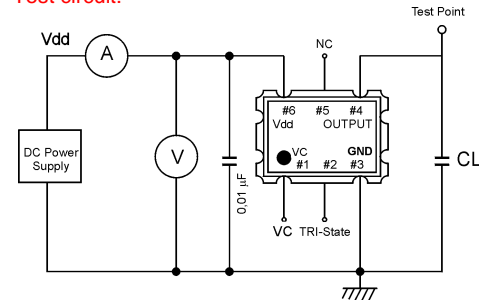
Suggested soldering pad:



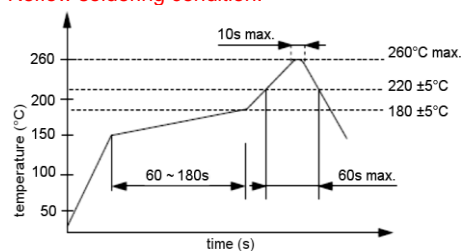
PIN	Connection
1	VC
2	"L" (0V) "H" (+3.3V) or OPEN
3	GND
4	OUTPUT
5	NC
6	V _{DD}

Z= High Impedance

Test circuit:



Reflow soldering condition:



Tape specification:

