



Ceramic Resonator

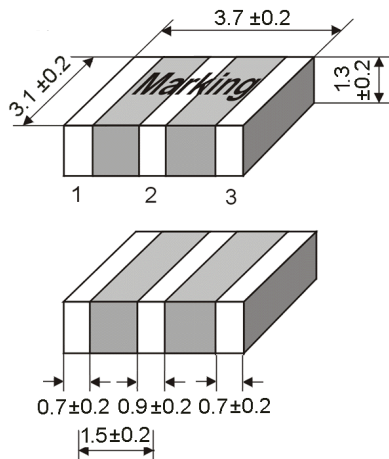
Built-in capacitor types

SMD-version
KX-ZTT CV series

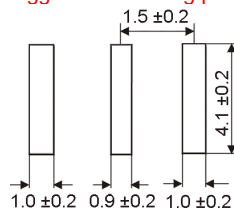
part no.	12.xxxxx	
model	KX-ZTT-CV MX	
frequency range	13.1 ~ 15.99 MHz	16.0 ~ 50.0 MHz
internal capacitance C ₁ , C ₂	standard 10 pF available 5 or 15 pF	16.0 MHz standard 22 pF; av.5 or 10 pF 16.01 ~ 25.99 MHz standard 10 pF; av.5 or 15 pF 26.0 ~ 50.0 MHz standard 5 pF; av.10 or 15 pF
frequency tolerance at +25°C	±0.5 %	
frequency stability at -20° ~ +80°C	±0.3 %	
aging for 10 years	±0.3 %	
resonant resistance max.	60 Ohm	40 Ohm
test circuit IC	1/6 TC74HCU04P	
Dimensions Height H	1.2 – 1.6	
contents of reel	1000 pcs.	

Please note our Precautions for Handling

Dimensions (mm):

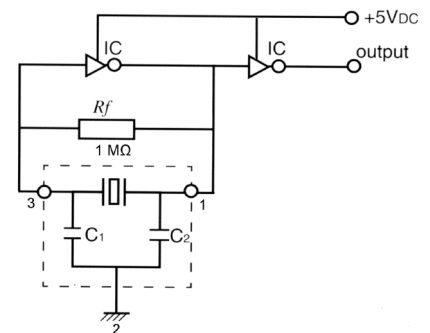


Suggested soldering pad:

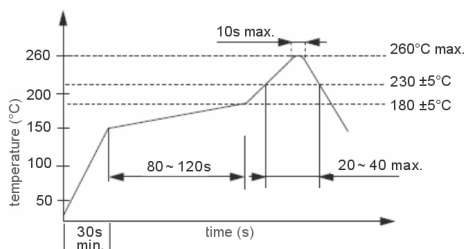


Pin	Connection
1	Input
2	GND
3	OUTPUT

Test circuit:



Reflow soldering condition:



Tape specification:

