



## Ceramic Resonator

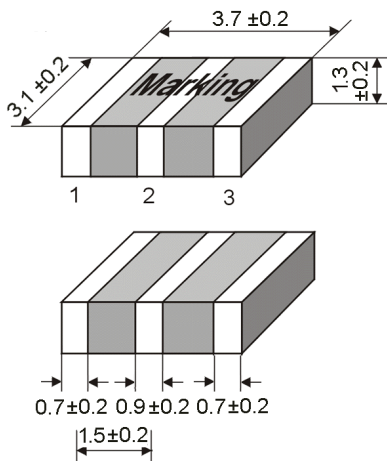
### Built-in capacitor types

SMD-version  
KX-ZTT CV series

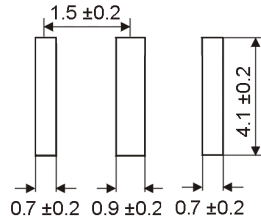
part no.	12.xxxxx
model	KX-ZTT-CV MT
frequency range	8.0 ~ 13.0 MHz
internal capacitance C <sub>1</sub> , C <sub>2</sub>	standard 22 pF available 15 or 30 pF
frequency tolerance at +25°C	±0.5 %
frequency stability at -20° ~ +80°C	±0.3 %
aging for 10 years	±0.3 %
resonant resistance max.	30 Ohm
test circuit IC	1/6 TC4069UBP
contents of reel	1000 pcs.

Please note our [Precautions for Handling](#)

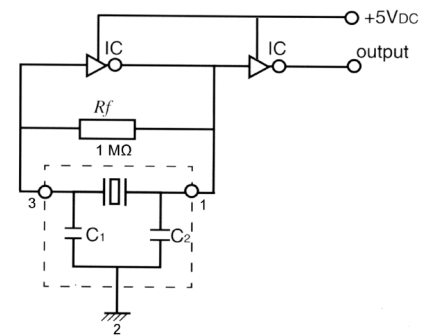
#### Dimensions (mm):



#### Suggested soldering pad:

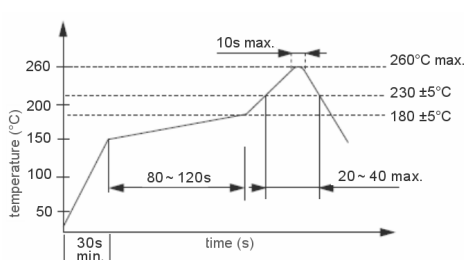


#### Test circuit:



Pin	Connection
1	Input
2	GND
3	OUTPUT

#### Reflow soldering condition:



#### Tape specification:

