



# Ceramic Resonator

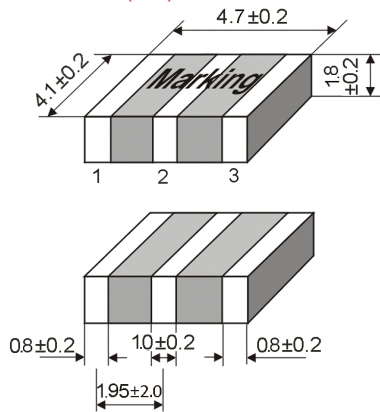
SMD-version  
KX-ZTT C series

Built-in capacitor types

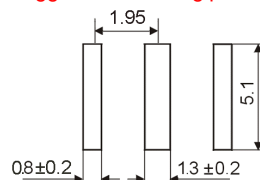
part no.	12.xxxxx
model	KX-ZTT CS MX
frequency range	13.01 ~ 50.0 MHz
internal capacitance C <sub>1</sub> , C <sub>2</sub>	standard 22 pF available 10 / 15 / 30 pF
frequency tolerance at +25°C	±0.5 %
frequency stability at -40° ~ +85°C	±0.3 %
aging for 10 years	±0.3 %
resonant resistance max.	40 Ohm
test circuit IC	1/6 TC74HCU04P
contents of reel	1000 pcs.

Please note for Ceramic Resonators our „Precautions for Handling“.

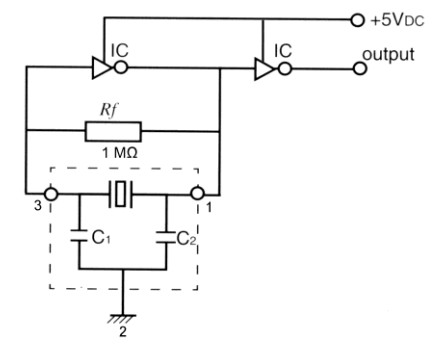
**Dimensions (mm):**



**Suggested soldering pad:**

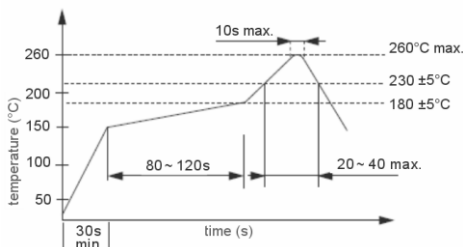


**Test circuit7**



Pin	Connection
1	Input
2	GND
3	OUTPUT

**Reflow soldering condition:**



**Tape specification:**

