



Ceramic Resonator

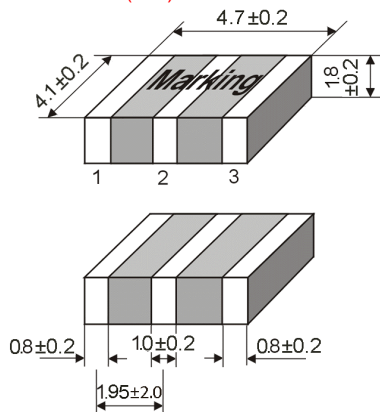
SMD-version
KX-ZTT C series

Built-in capacitor types

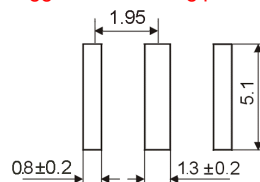
part no.	12.xxxxx
model	KX-ZTT CS MT
frequency range	8.0 ~ 13.0 MHz
internal capacitance C ₁ , C ₂	standard 22 pF available 10, 15 or 30 pF
frequency tolerance at +25°C	±0.5 %
frequency stability at -40° ~ +85°C	±0.3 %
aging for 10 years	±0.3 %
resonant resistance (max.)	30 Ohm
test circuit IC	1/6 TC74HCU04P
contents of reel	1000 pcs.

Please note for Ceramic Resonators our „Precautions for Handling“.

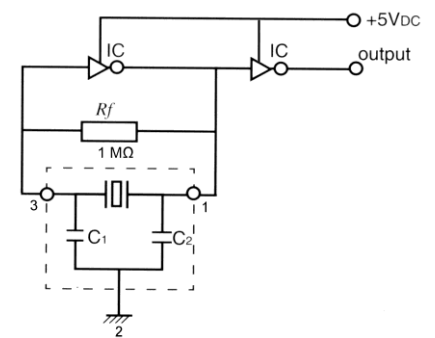
Dimensions (mm):



Suggested soldering pad:

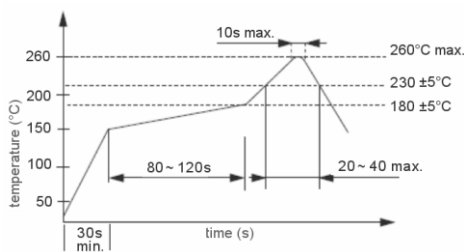


Test circuit7



Pin	Connection
1	Input
2	GND
3	OUTPUT

Reflow soldering condition:



Tape specification:

