



## Ceramic Resonator

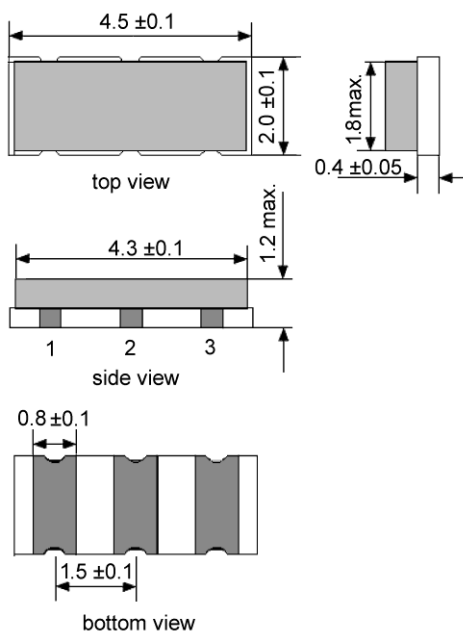
SMD-version  
KX-ZTT CR series

Built-in capacitor types

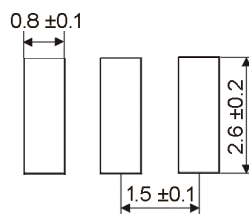
part no.	12.xxxxx
model	KX-ZTT-CR MG
frequency range	4.0 ~ 12.0 MHz
internal capacitance C <sub>1</sub> , C <sub>2</sub>	standard 15 pF available 10, 22, 30, 33, 39 or 47 pF
frequency tolerance at +25°C	±0.5 %
frequency stability at -40 ~ +125°C	±0.4 % (4.00 - 8.00 MHz) ±0.2 % (8.01 - 12.00 MHz)
aging for 10 years	±0.2 %
resonant resistance max.	40 Ohm
test circuit IC	1/6 TC4069UBP
contents of reel	3000 pcs.

Please note for Ceramic Resonators our „Precautions for Handling“.

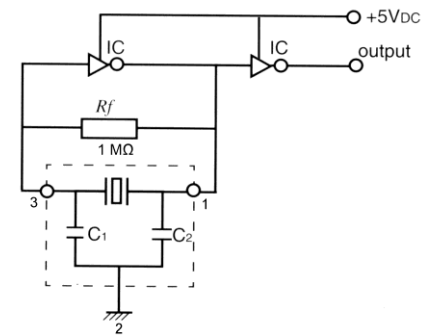
Dimensions (mm):



Suggested soldering pad:

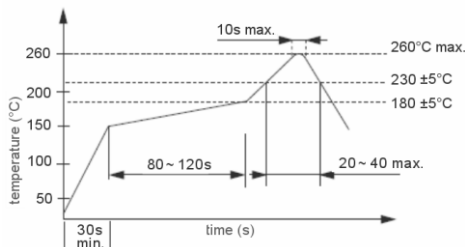


Test circuit:

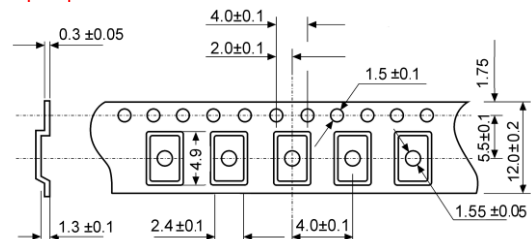


Pin	Connection
1	Input
2	GND
3	OUTPUT

Reflow soldering condition:



Tape specification:



reel diameter 178 mm