

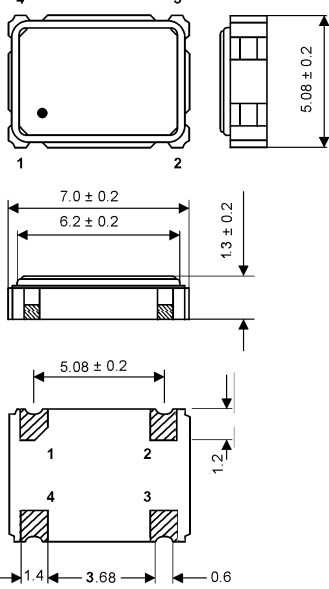


Clock Oscillator SMD-version

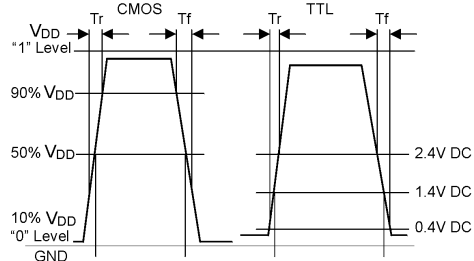
+3.3V

part no.	12.xxxxx
model	KXO-V97-kHz
frequency	32.768 kHz
frequency stability at -20° ~ +70°C at -40° ~ +85°C	± 50 ppm ±100 ppm
operating temperature	standard -20° ~ +70°C available -40° ~ +85°C (=KXO-V97T)
storage temperature	-40° ~ +85°C
supply voltage range	+1.8V ~ +3.3V
input voltage V _{DD}	+3.3V ±10%
input current max.	1 mA
symmetry	50% ±10% at ½ V _{DD} level
rise & fall time max.	6 ns
"0" level max.	+0.4V
"1" level min.	V _{DD} -0.5V
output load	30 pF
start up time max.	10 ms
tri-state function	yes
disable delay time max.	100 ns
enable delay time max.	4 ms
phase jitter	(12 kHz – 20 MHz) with 1 ps
random jitter max.	7ps
peak to peak jitter max.	40ps
contents of reel	1000 pcs.

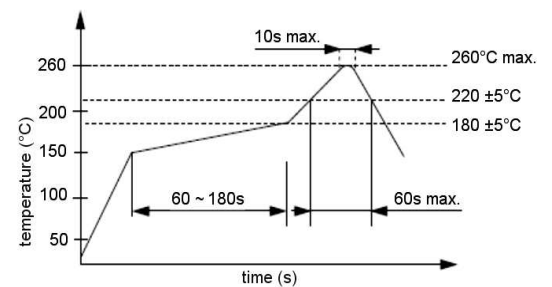
Dimensions (mm):



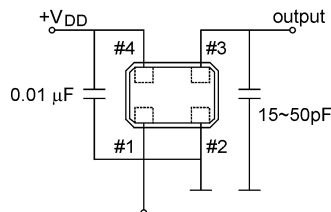
Output waveform:



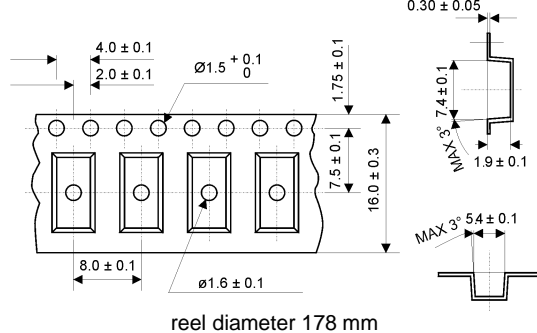
Reflow soldering condition:



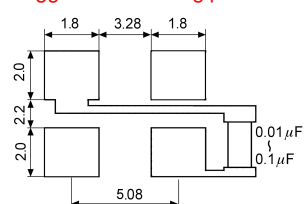
Test circuit:



Tape specifications:



Suggested soldering pad:



PIN	Connection
1	"L" (0V) "H" or OPEN
2	GND
3	Z OUTPUT
4	V _{DD}

Z: high impedance