

## TCXO clipped sine wave

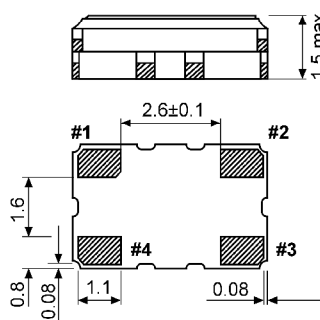
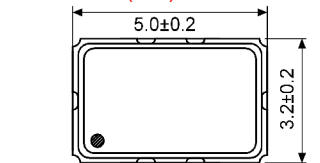
SMD-version

+3.0V / +3.3 V

Temperature Compensated Crystal Oscillator

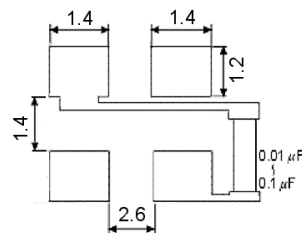
part no.	12.xxxxx	
model	KXO-83	
frequency range	6.0 ~ 40.0 MHz	
initial frequency tolerance max.	±1.5 ppm	
frequency stability	vs. temp.range	±1.0 ppm ~ ±2.5 ppm over -30° ~ +85°C (referred to +25°C) available ±1.5 ppm over -40° ~ +85°C (referred to +25°C)
	vs. input voltage max.	±0.3 ppm at V <sub>DD</sub> ± 5%
	vs. load max.	±0.3 ppm ±5 %
	vs. aging max.	±1 ppm / year at +25°C
output	load	10k Ohm ±10 % // 10 pF ±10 %
	voltage min.	0.8 V <sub>p-p</sub> at 10 k Ohm // 10 pF
	waveform	clipped sine wave
operating temperature range	standard -30°C ~ +85°C available -40°C ~ +85°C	
storage temperature range	-40°C ~ +85°C	
supply voltage range	+2.5 V ~ +3.4 V	
supply voltage V <sub>DD</sub>	+3.0 V DC ±5 % or +3.3 V DC ±5 %	
supply current	1.2 mA typ., 2 mA max. (no load)	
start-up time max.	2 ms	
harmonics max.	-5.0 dBc	
phase noise max.	-80 dBc/Hz at 10 Hz -110 dBc/Hz at 100 Hz -130 dBc/Hz at 1 kHz -140 dBc/Hz at 10 kHz -140 dBc/Hz at 100 kHz -145 dBc/Hz at 1 MHz	
contents of reel	1000 pcs.	

**Dimensions (mm):**

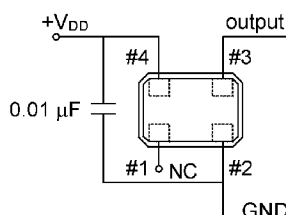


Pin	Connection
1	NC
2	GND
3	OUTPUT
4	V <sub>DD</sub>

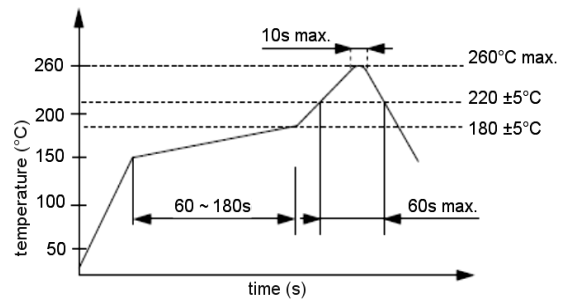
**Suggested soldering pad:**



**Test circuit:**



**Reflow soldering condition:**



**Tape specification:**

