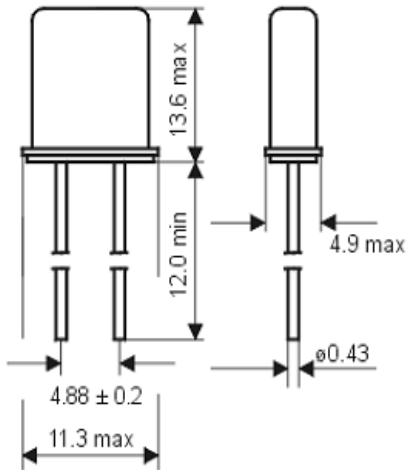


Quartz Crystal

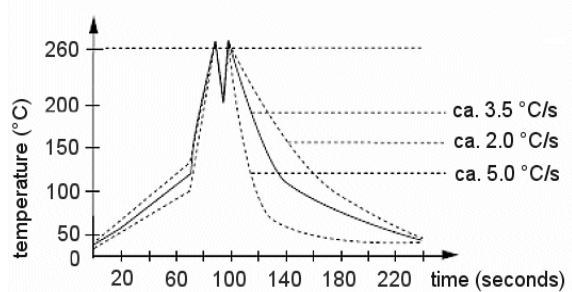
HC-49/U

model	KX-49	
frequency range	1.84320 ~ 30 MHz	
mode	fundamental	
operating temperature	standard	-20° ~ + 70°C
	available	-40° ~ + 85°C (= KX-49T)
	available	-40° ~ +105°C (= KX-49E)
frequency tolerance at +25°C	standard:	±30 ppm
	available:	±5 ~ 50 ppm
temperature tolerance at -20° ~ +70°C	standard:	±50 ppm
	available:	±5 ~ 50 ppm
load capacitance C_L	standard:	30 pF
	avail:	10 ~ 30 pF
series resistance R1 max.	1.8432	600 Ohm
	2.0	400 Ohm
	2.4576	200 Ohm
	3.0	150 Ohm
	> 4.0	60 Ohm
aging at +25°C (first year) max.	±5 ppm	
shunt capacitance C_0 max.	7 pF	
drive level max	0.5 ~ 2 mW	

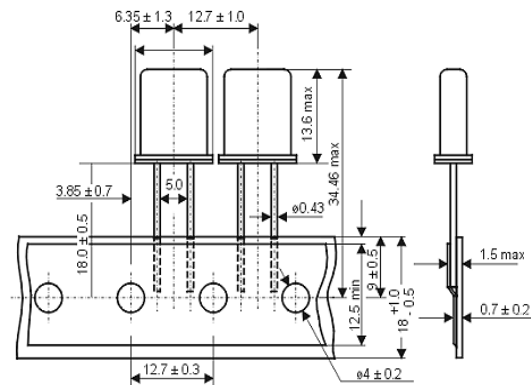
Dimensions (mm):



Wave soldering condition:



Tape specification:



Taped crystals upon request