

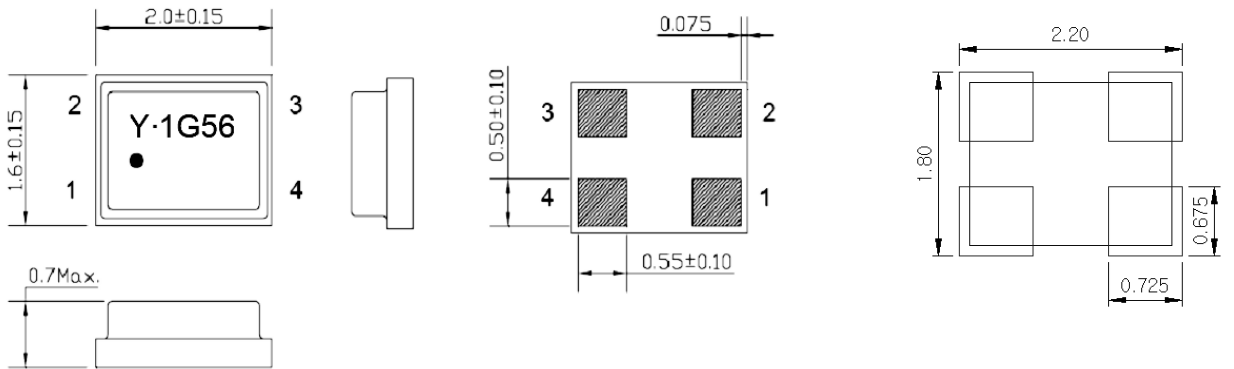
## 1575.42 MHz SAW Bandpass Filter KX-SF

Part no. 12.98752

### Features

- I GPS application
- I No matching 50Ω single-ended operation
- I SMD Package (2.0 x 1.6 x 0.7 mm)

### Package dimensions



Dimensions shown are nominal in millimeters  
 Body : Al<sub>2</sub>O<sub>3</sub> Ceramic  
 Lid: Kovar, Ni Plated  
 Terminations : Au plating 0.3 ~ 1.0 um,  
 Over a 1.27 ~ 8.89 um  
 Ni Plating

Pin Configuration	
1	Input
2	Case Ground
3	Output
4	Case Ground

### Maximum ratings

Parameter	Unit	Minimum	Typical	Maximum
Operating temperature range	°C	-40	25	85
Storage temperature range	°C	-40	-	95
Power handling capability	dBm	-	-	10

Electrostatics Sensitive Device (ESD)

## Specifications

	Unit	Minimum	Typical	Maximum
Center frequency (Fc)	MHz	-	1575.42	-
Insertion loss (Fo ± 1 MHz)	dB	-	1.1	1.6
Amplitude Ripple (Fo ± 1 MHz)	dBp-p	-	0.1	0.8
VSWR (Fo ± 1 MHz)		-	1.2	1.8
Relative Attenuation:				
D.C. ~ 1400 MHz	dB	20	23	-
1400 ~ 1490 MHz		25	30	-
1490 ~ 1520 MHz		30	35	-
(1500 MHz)		(35.0)	(44.0)	-
1625 ~ 1635 MHz		30	42	-
1800 ~ 3000 MHz		25	30	-
Temperature Range optional	°C	-40	25	85
Input RF Power (Fo ± 1 MHz)	dBm			10
Input / Output Impedance	Ohm		50	

### Notes:

- 1) All specifications are based on the matching schematic shown below, measured by Agilent Network analyzer and full-2 port calibration.
- 2) Electrical margin has been built into the design to account for the variations due to temperature drift and manufacturing tolerances
3. All attenuation measurements are measured relative to insertion loss.

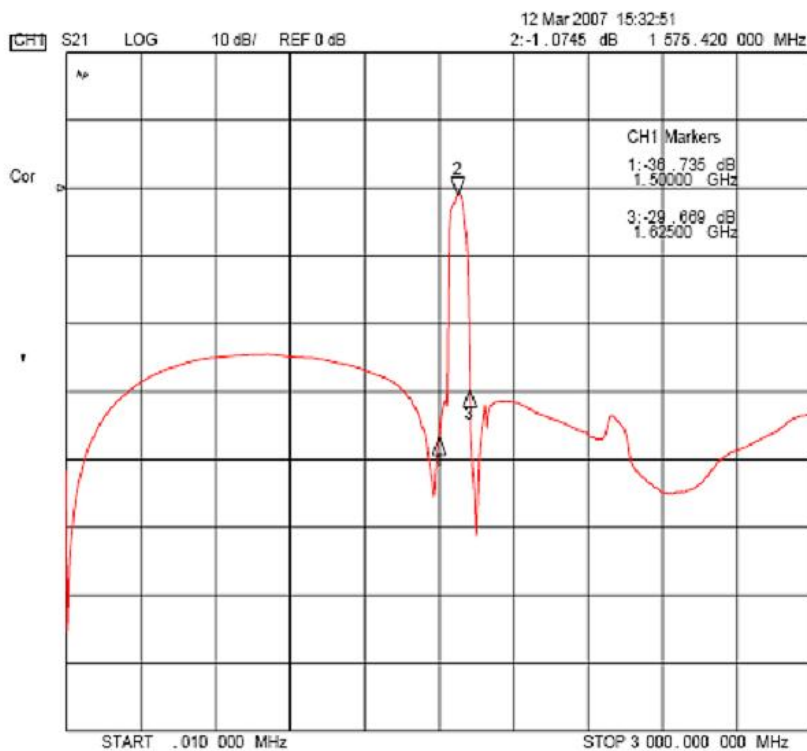
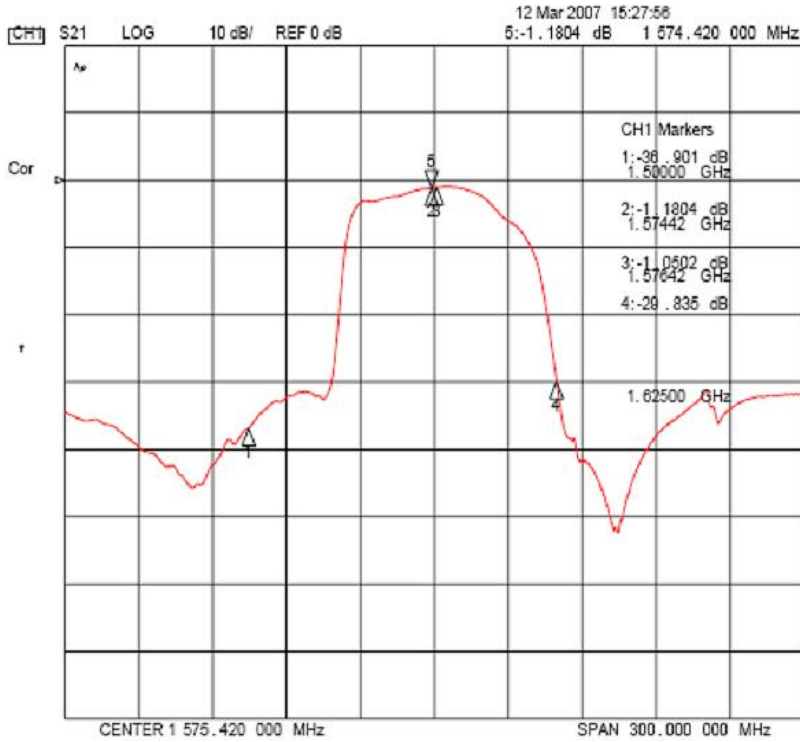
### Matching schematic

(Actual matching values may vary due to PCB layout and parasitic)

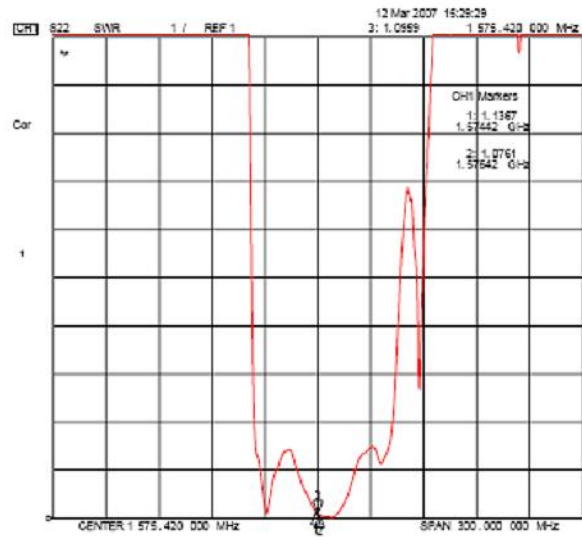
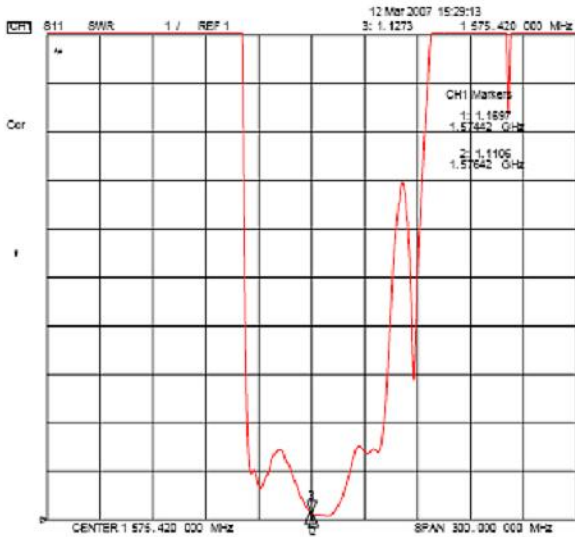




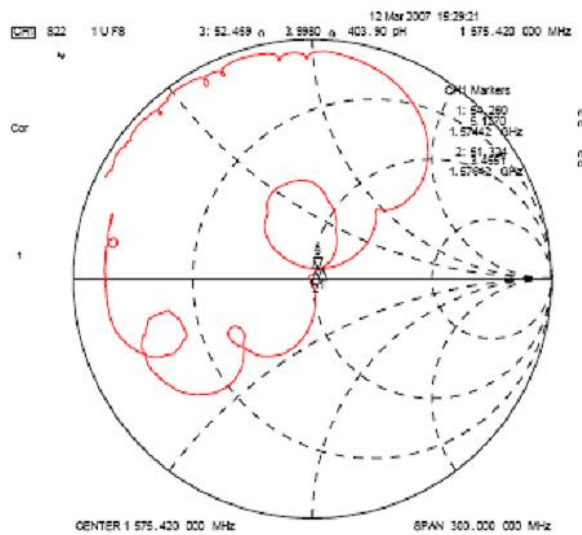
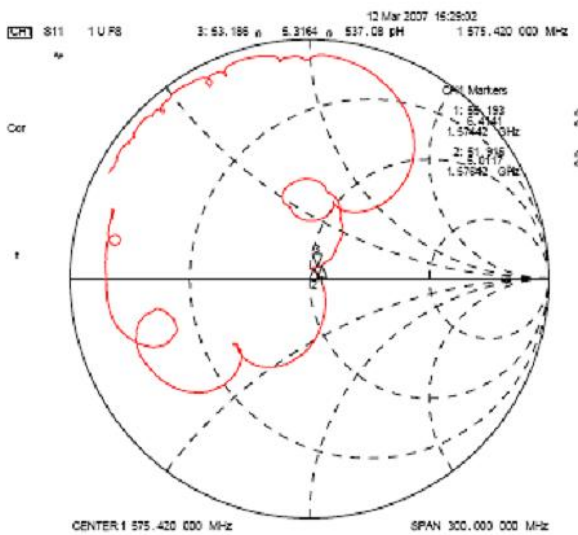
## Typical Performance (at 25°C)



### Input / Output VSWR charts

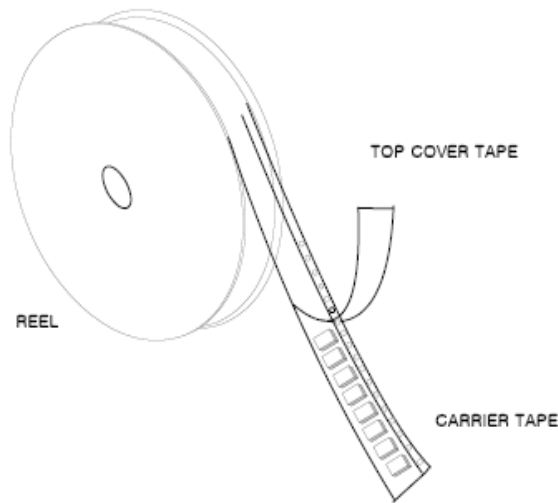


### Input / Output Smith charts



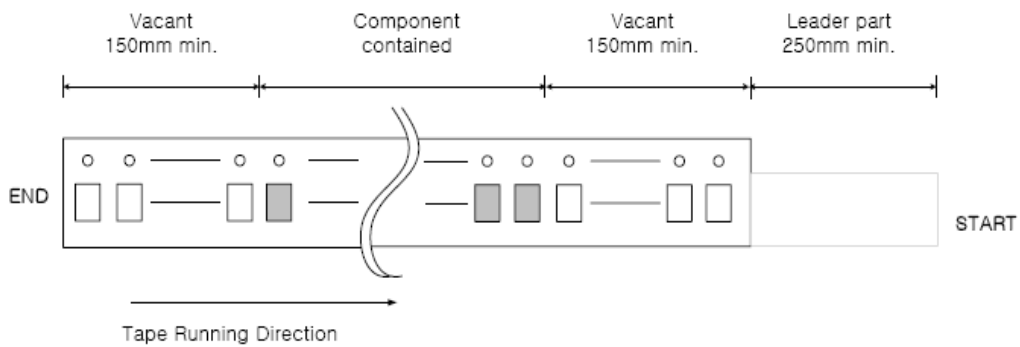
## Packing Specification

1. Reeling Quantity : 3000 pcs / 13" reel ( or 1000 pcs / 7" reel )
2. Taping Structure : The tape shall be wound around the reel in the direction shown below.



## Tape Specification

1. Leader part and vacant position specification

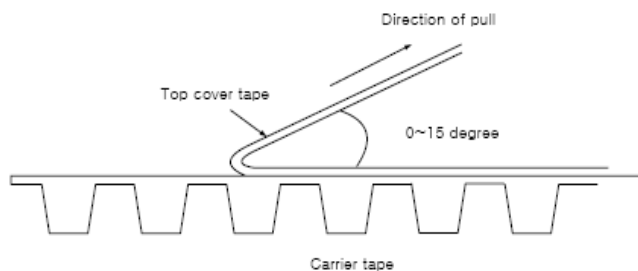


2. Tensile strength of carrier tape

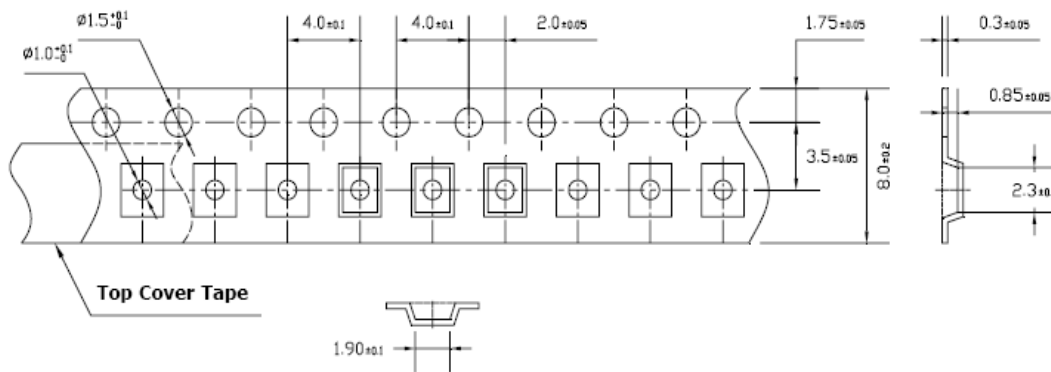
4.4N/mm width

3. Top cover tape adhesion

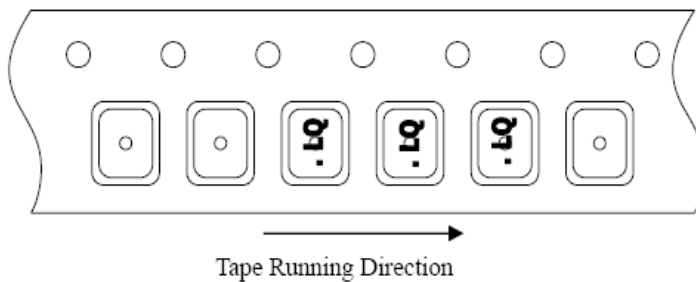
- 1) pull off angle : 0~15°
- 2) speed : 300mm/min
- 3) force : 20~70g



**Carrier Tape Dimensions [unit : mm]**



**Part Direction**



**Reel Dimensions [unit : mm]**

