

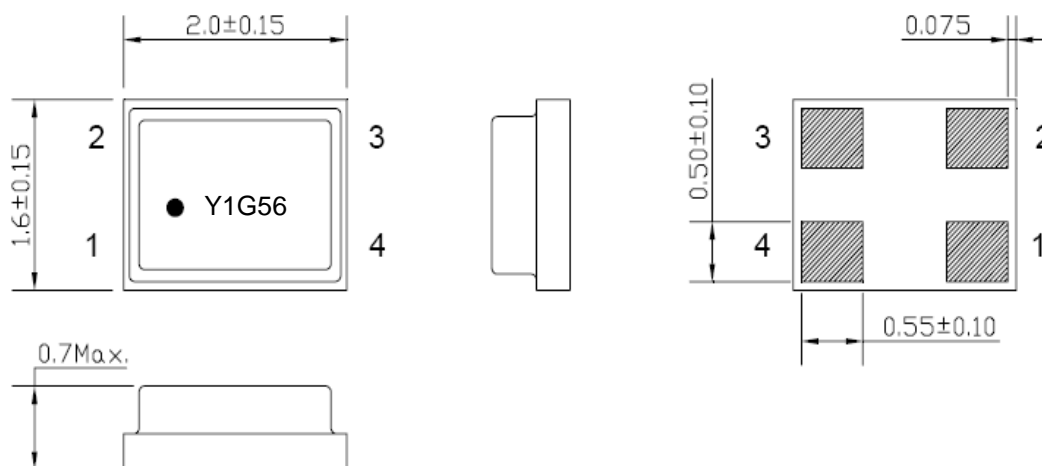
1575,42 MHz SAW Bandpass Filter KX-SF

Part no. 12.98752

Features

- GPS applications
- Usable bandwidth of 2 MHz
- No impedance matching require for operation at 50 Ω
- SMD Package 2.0 mm × 1.6 mm × 0.7 mm
- Single-ended Operation
- RoHS Compliant

Package Dimensions



Pin Configurations	
1	Input
2	Case Ground
3	Output
4	Case Ground

Maximum Ratings

Parameters	Unit	Minimum	Typical	Maximum
Operating Temperature Range	°C	-40	25	85
Storage Temperature Range	°C	-40	-	95
Power Handling Capability	dBm	-	-	10

Electrostatics Sensitive Device (ESD)

According to RoHS 2011/65/EU

Specifications

	Minimum	Typical	Maximum	Unit
Center Frequency (Fc)	-	1575.42	-	MHz
Insertion Loss (Fo +/- 1 MHz)	-	1.1	1.6	dB
Amplitude Ripple (Fo +/- 1 MHz)	-	0.1	0.8	dBp-p
VSWR (Fo +/- 1 MHz)	-	1.2	1.8	
Relative Attenuation				
D.C. ~ 1400 MHz	20.0	23.0	-	dB
1400 ~ 1490 MHz	25.0	30.0	-	
1490 ~ 1520 MHz	30.0	35.0	-	
(1500 MHz)	(35.0)	(44.0)	-	
1625 ~ 1635 MHz	30.0	42.0	-	
1800 ~ 3000 MHz	25.0	30.0	-	
Temperature Range (Operational)	-40	25	85	°C
Input RF Power (Fo +/- 1 MHz)			10	dBm
Input/Output Impedance		50		Ohms

Notes :

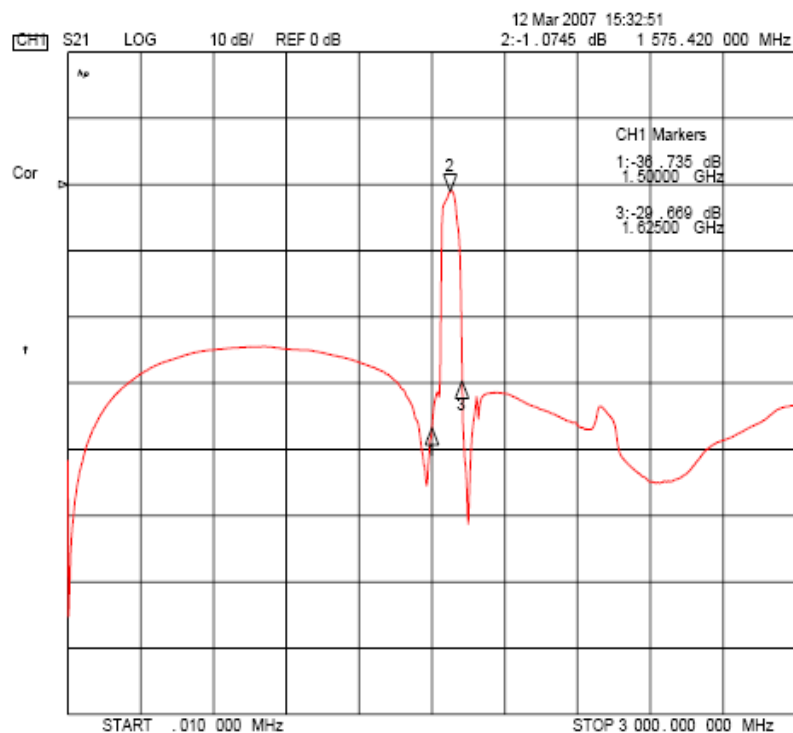
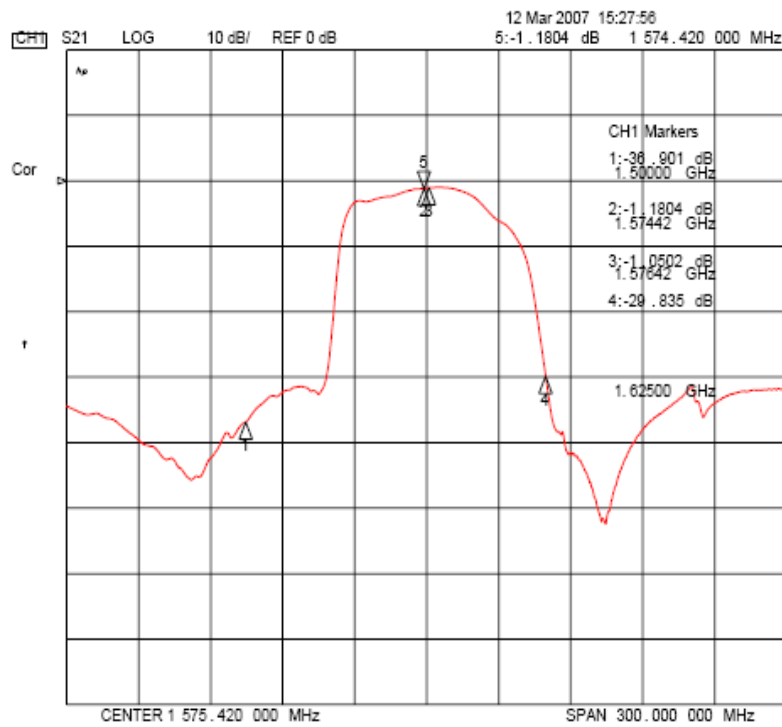
- 1) All specifications are based on the matching schematic shown below, measured by Agilent Network analyzer and full 2 port calibration.
- 2) Electrical margin has been built into the design to account for the variations due to temperature drift and manufacturing tolerances
- 3) All attenuation measurements are measured relative to insertion loss

Matching Schematic

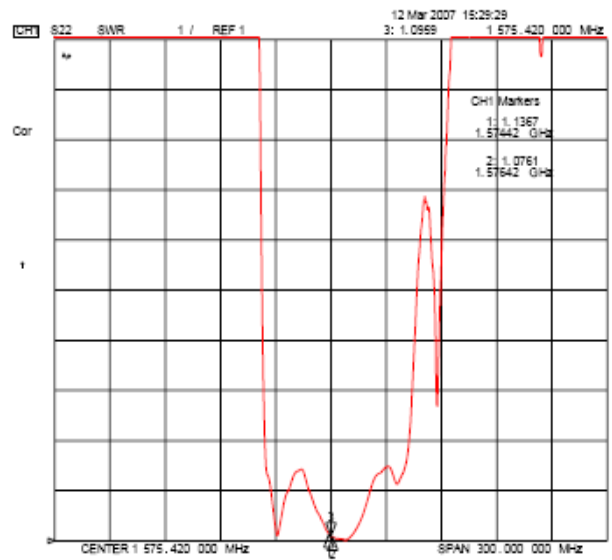
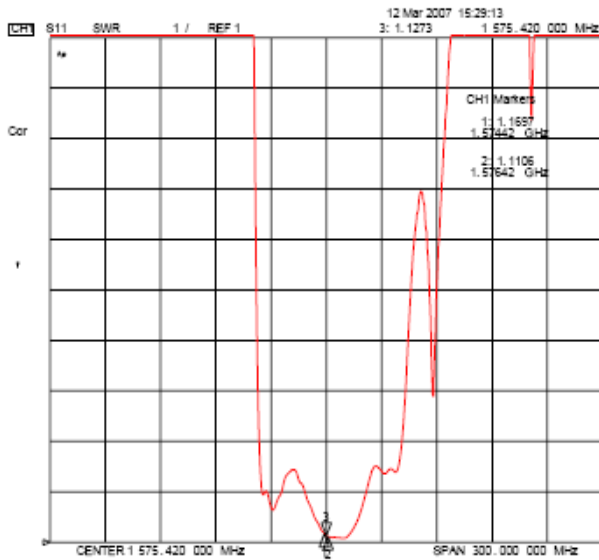
(Actual matching values may vary due to PCB layout and parasitics)



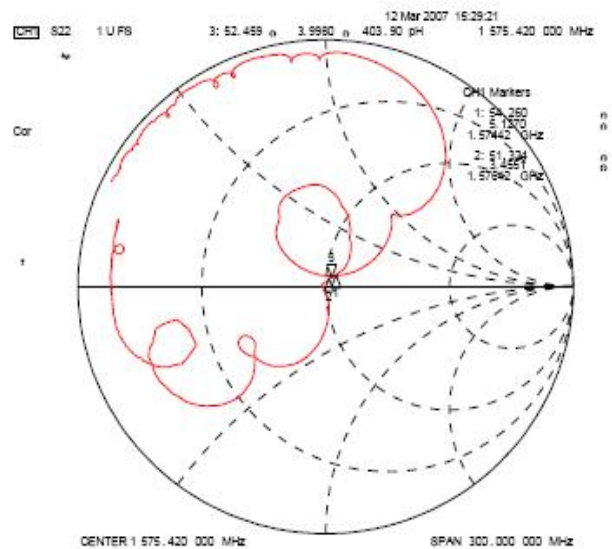
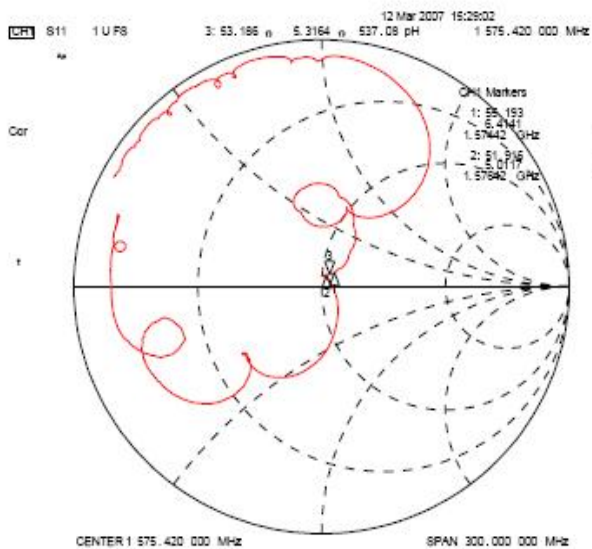
Typical Performance (at 25°C)



Input / Output VSWR Charts

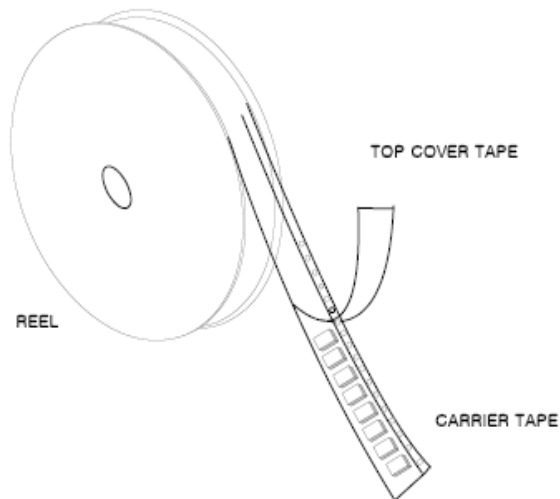


Input / Output Smith Charts



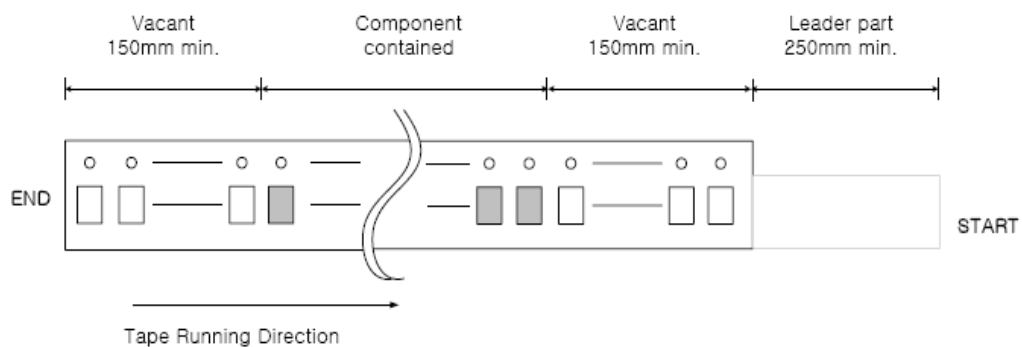
Packing Specification

1. Reeling Quantity : 3000 pcs / 13" reel (or 1000 pcs / 7" reel)
2. Taping Structure : The tape shall be wound around the reel in the direction shown below.



Tape Specification

1. Leader part and vacant position specification

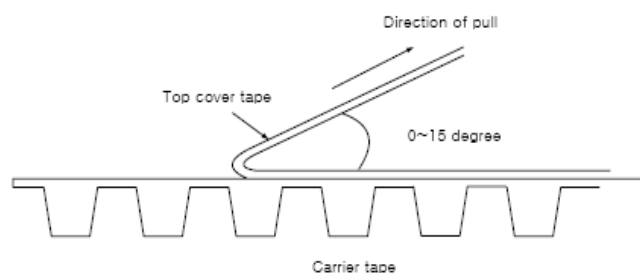


2. Tensile strength of carrier tape

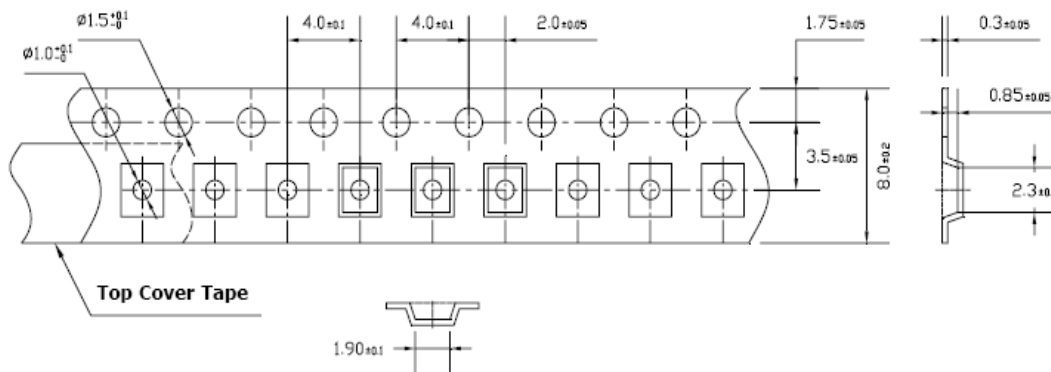
4.4N/mm width

3. Top cover tape adhesion

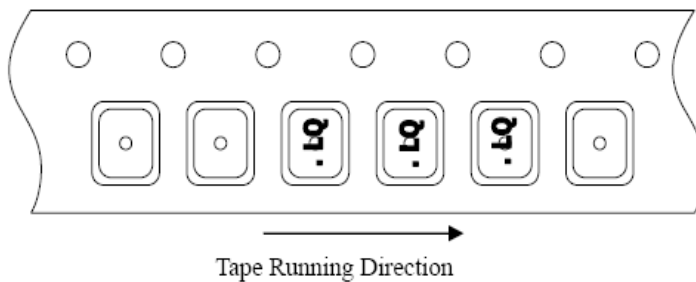
- 1) pull off angle : 0~15°
- 2) speed : 300mm/min
- 3) force : 20~70g



Carrier Tape Dimensions [unit : mm]



Part Direction



Reel Dimensions [unit : mm]

