



Ceramic Resonator

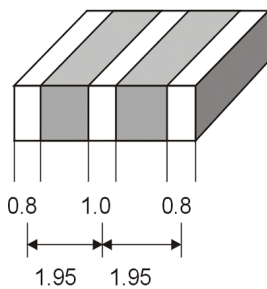
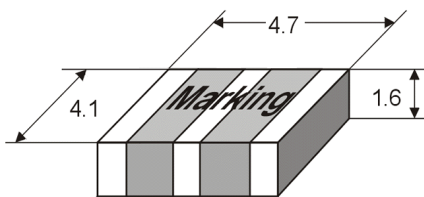
SMD-version
KX-ZTT C series

Built-in capacitor types

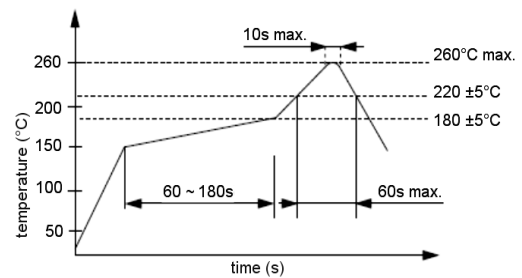
part no.	12.99510
model	KX-ZTT CS MX
frequency	14.310 MHz
internal capacitance C ₁ , C ₂	30 pF
frequency tolerance at +25°C	±0.5%
frequency stability at -20° ~ +80°C	±0.3%
aging for 10 years	±0.3%
resonant resistance max.	80 Ohm
test circuit IC	TC 74 HCU04
contents of reel	1000 pcs.

Please note for Ceramic Resonators our „Precautions for Handling“.

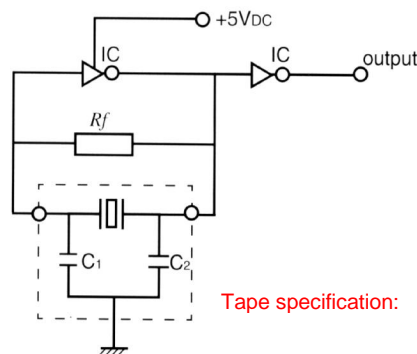
Dimensions (mm):



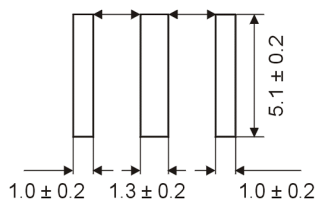
Reflow soldering condition:



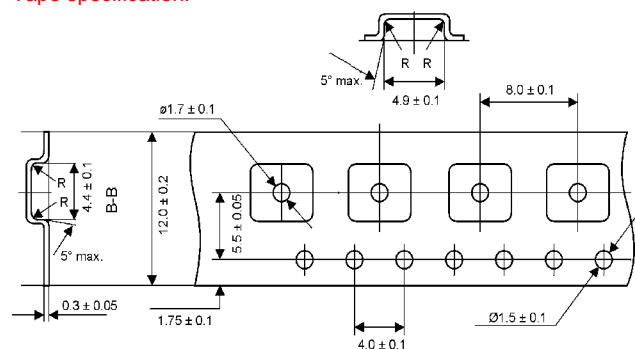
Test circuit7



Suggested soldering pad:



Tape specification:



reel diameter 178 mm