



Ceramic Resonator

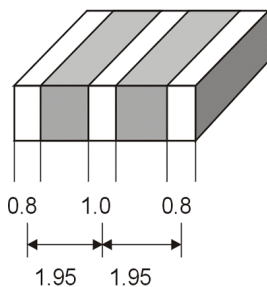
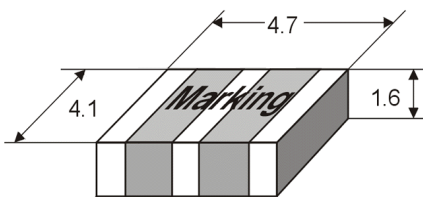
SMD-version
KX-ZTT C series

Built-in capacitor types

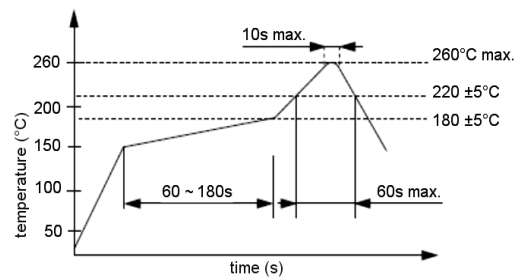
| | |
|---|--------------|
| part no. | 12.99505 |
| model | KX-ZTT CS MX |
| frequency | 16,0 MHz |
| internal capacitance C ₁ , C ₂ | 22 pF |
| frequency tolerance at +25°C | ±0.5% |
| frequency stability at -20° ~ +80°C | ±0.3% |
| aging for 10 years | ±0.3% |
| resonant resistance max. | 40 Ohm |
| test circuit IC | TC 74 HCU04 |
| contents of reel | 1000 pcs. |

Please note for Ceramic Resonators our „Precautions for Handling“.

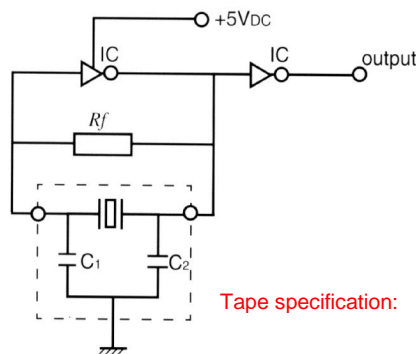
Dimensions (mm):



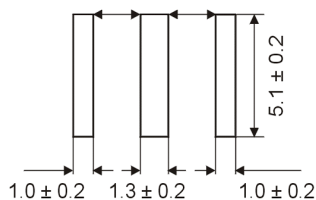
Reflow soldering condition:



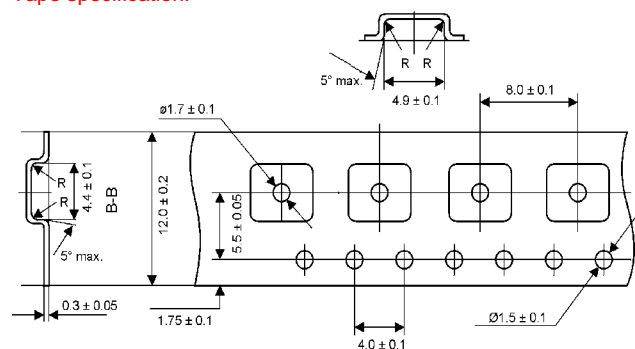
Test circuit7



Suggested soldering pad:



Tape specification:



reel diameter 178 mm