



## Ceramic Resonator

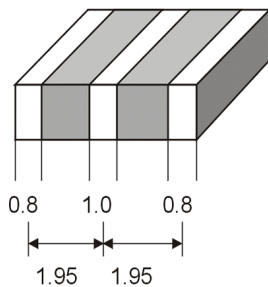
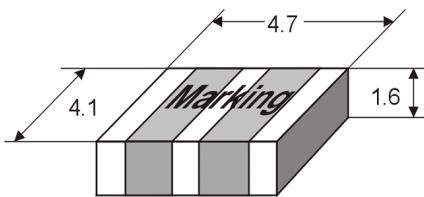
SMD-version  
KX-ZTT C series

Built-in capacitor types

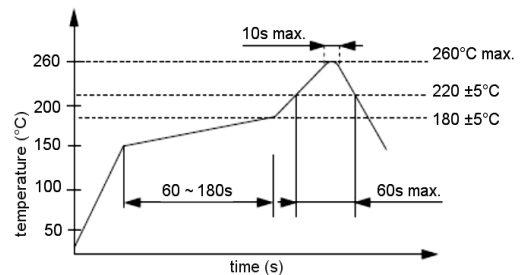
part no.	12.99504
model	KX-ZTT CS MT
frequency	12.0 MHz
internal capacitance C <sub>1</sub> , C <sub>2</sub>	30 pF
frequency tolerance at +25°C	±0.5%
frequency stability at -20° ~ +80°C	±0.4%
aging for 10 years	±0.4%
resonant resistance (max.)	80 Ohm
test circuit IC	CD 4069 UBXP2
contents of reel	1000 pcs.

Please note for Ceramic Resonators our „Precautions for Handling“.

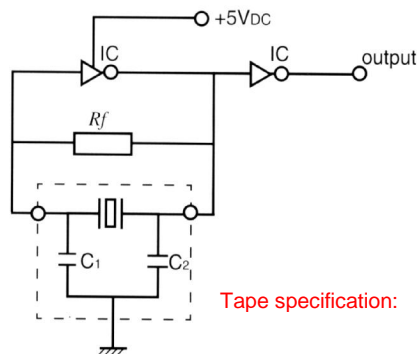
Dimensions (mm):



Reflow soldering condition:

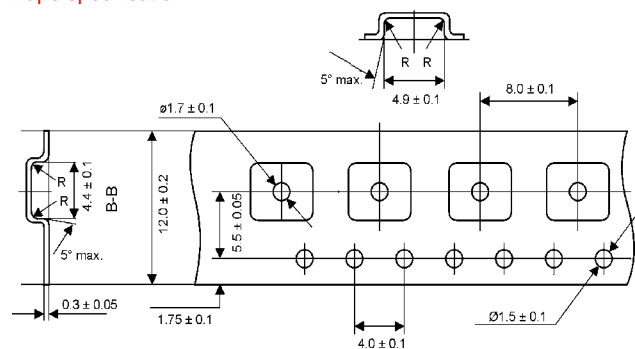
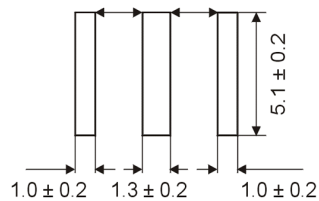


Test circuit7



Tape specification:

Suggested soldering pad:



reel diameter 178 mm