



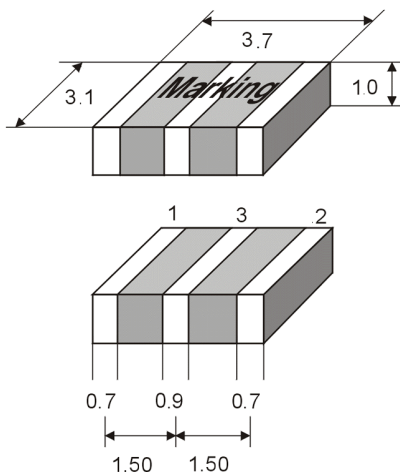
Ceramic Resonator Built-in capacitor types

SMD-version
KX-ZTT CV series

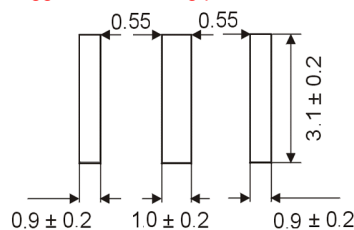
part no.	12.99201
model	KX-ZTT-CV MX
frequency	20.0 MHz
internal capacitance C ₁ , C ₂	10 pF
frequency tolerance at +25°C	±0.5%
frequency stability at -20° ~ +80°C	±0.3 %
aging for 10 years	±0.3%
resonant resistance max.	40 Ohm
test circuit IC	1/6TC4069UBP×2
contents of reel	1000 pcs.

Please note our [Precautions for Handling](#)

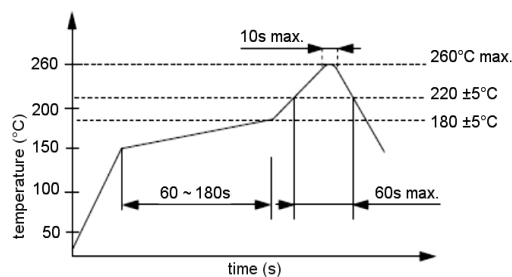
Dimensions (mm):



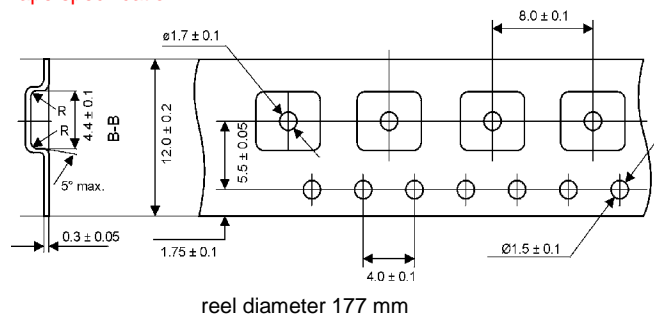
Suggested soldering pad:



Reflow soldering condition:



Tape specification:



Test circuit:

