



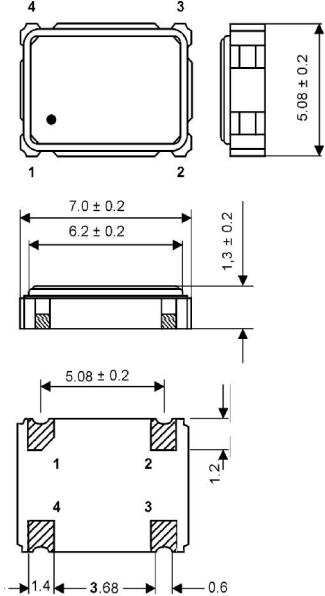
Clock Oscillator

SMD-version

5V

| | |
|-------------------------------------|--|
| part no. | 12.94242 |
| model | KXO-97 |
| frequency | 24.5760 MHz |
| frequency stability at -20° ~ +70°C | ±50 ppm |
| operating temperature | -20° ~ +70°C |
| storage temperature | -55° ~ +125°C |
| symmetry | 50% ±10% at 1.4V DC level or ½ V _{DD} level |
| rise & fall time max. | TTL: 6 ns / CMOS: 10 ns |
| "O" level max. | +0.4V (TTL) +0.5V (CMOS) |
| "1" level min. | +2.4 (TTL) V _{DD} -0.5V (CMOS) |
| input voltage V _{DD} | +5V DC ±10% |
| Input current max. | 25 mA |
| output load | 10 TTL gates 50 pF |
| start up time max. | 10 ms |
| tristate function | yes |
| disable delay time max. | 50 µs |
| enable delay time max. | 4 ms |
| phase jitter max. | (12 kHz – 20 MHz) with 1 ps |
| random jitter max. | 7ps |
| peak to peak jitter | 40ps |
| contents of reel | 1000 pcs. |

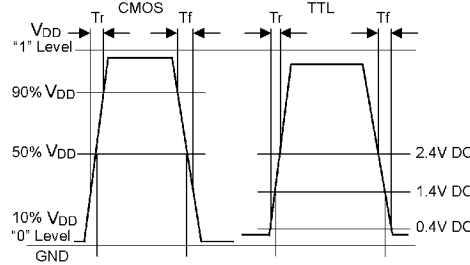
Dimensions (mm):



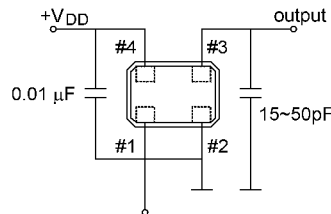
| PIN | Connection |
|-----|------------------------|
| 1 | "L" (0V) "H" or OPEN |
| 2 | GND |
| 3 | Z OUTPUT |
| 4 | V _{DD} |

Z: high impedance

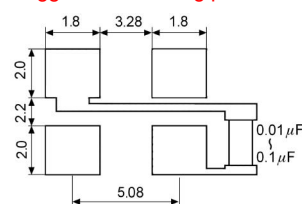
Output waveform:



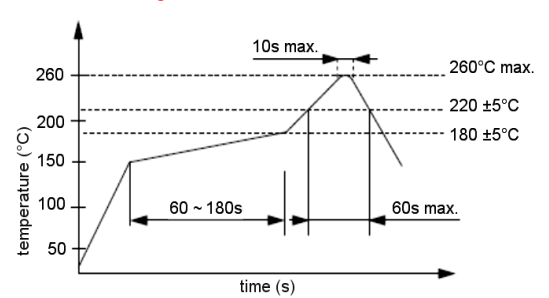
Test circuit:



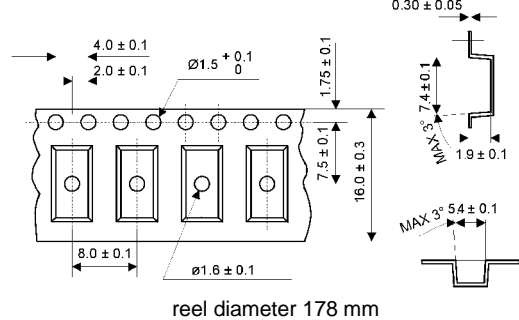
Suggested soldering pad:



Reflow soldering condition:



Tape specifications:



reel diameter 178 mm