

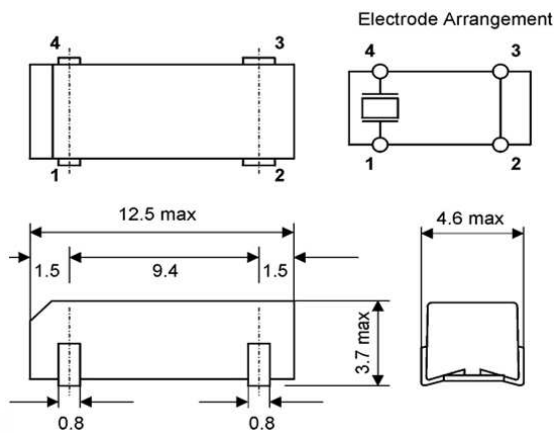


Quartz Crystal

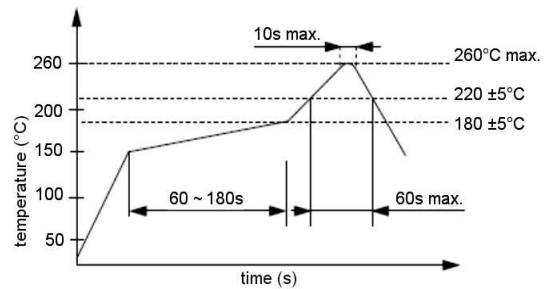
SMD-version

model	KX - C
frequency	18.4320 MHz
mode	fundamental
operating temperature	-20° ~ + 70°C
frequency tolerance at +25°C	± 50 ppm
temperature tolerance at -20° ~ + 70°C	± 50 ppm
load capacitance C_L	16 pF
series resonance R1 max.	50 Ohm
aging at 25°C (first year) max.	± 5 ppm
shunt capacitance C_O max.	7.0 pF
drive level	0.1 mW
contents of reel	1000 pcs.
part no.	12.87310

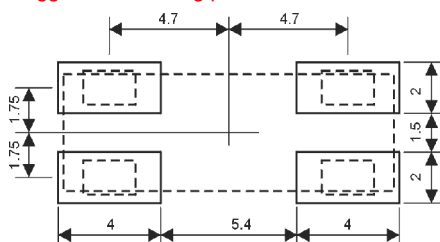
Dimensions (mm):



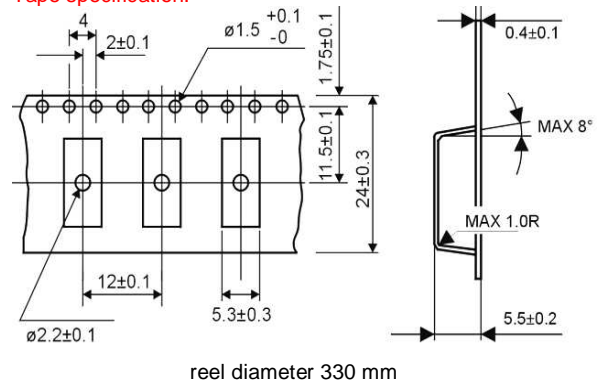
Reflow soldering condition:



Suggested soldering pad:



Tape specification:



reel diameter 330 mm