

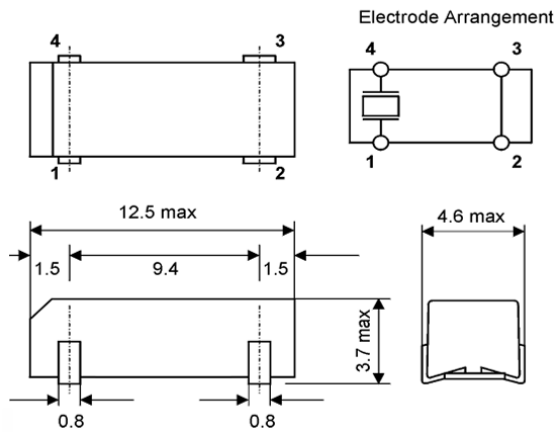


# Quartz Crystal

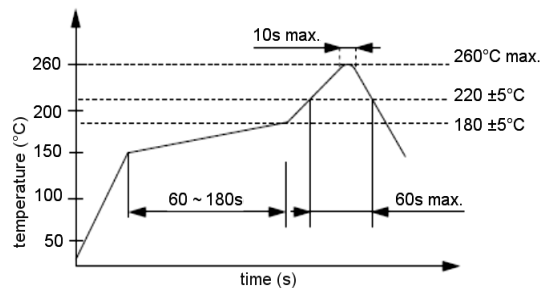
SMD-version

model	KX - C
frequency	10.0 MHz
mode	fundamental
operating temperature	-20° ~ + 70°C
frequency tolerance at +25°C	± 50 ppm
temperature tolerance at -20° ~ + 70°C	± 50 ppm
load capacitance $C_L$	16 pF
series resonance R1 max.	50 Ohm
aging at 25°C ( first year ) max.	± 5 ppm
shunt capacitance $C_O$ max.	7.0 pF
drive level	0.1 mW
contents of reel	1000 pcs.
part no.	12.87277

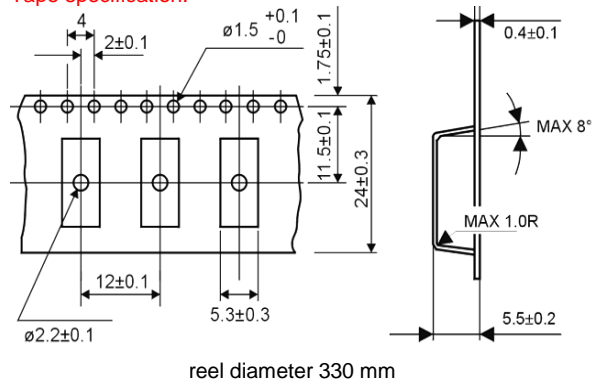
Dimensions (mm):



Reflow soldering condition:



Tape specification:



Suggested soldering pad:

