

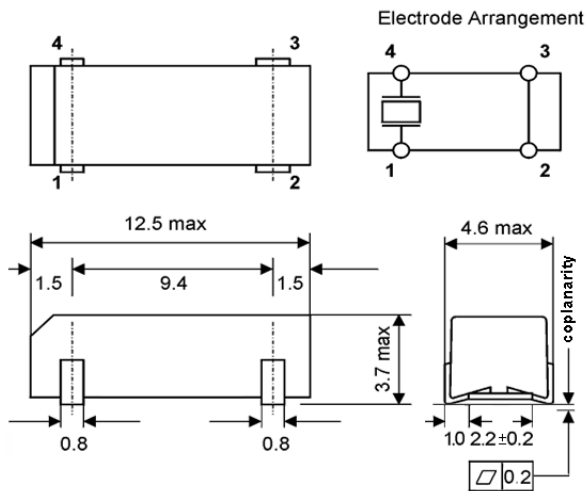


Quartz Crystal

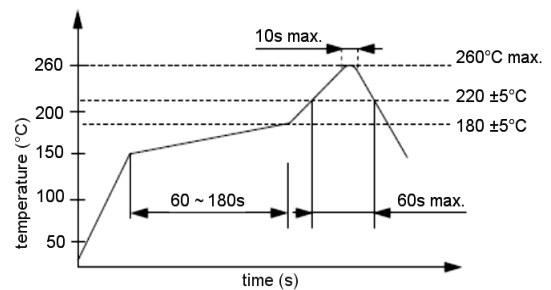
SMD-version

part no.	12.87273
model	KX - C
frequency	3.68640 MHz
mode	fundamental
operating temperature	-20° ~ +70°C
frequency tolerance at +25°C	±50 ppm
temperature tolerance at -20° ~ +70°C	±50 ppm
load capacitance C_L	16 pF
series resistance R_1 max.	150 Ohm
aging at 25°C (first year) max.	±5 ppm
shunt capacitance C_0 max.	7.0 pF
drive level max.	0.1 mW
contents of reel	1000 pcs.

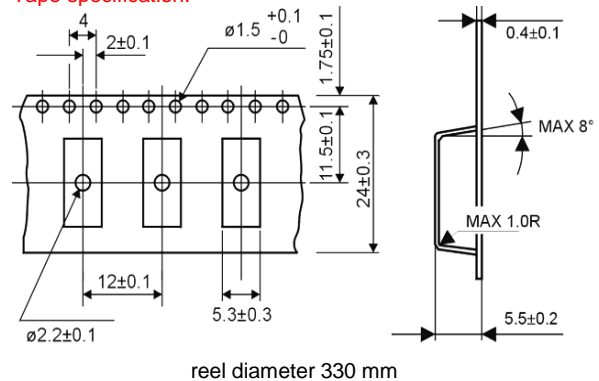
Dimensions (mm):



Reflow soldering condition:



Tape specification:



Suggested soldering pad:

