

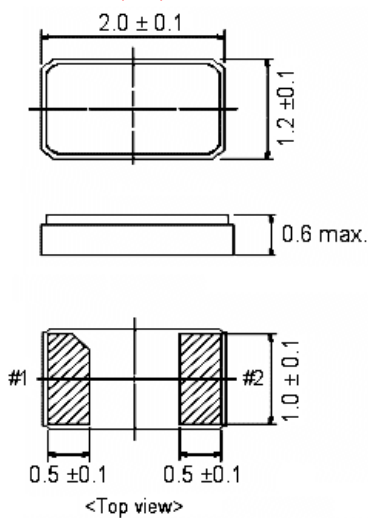


## Tuning Fork Crystal

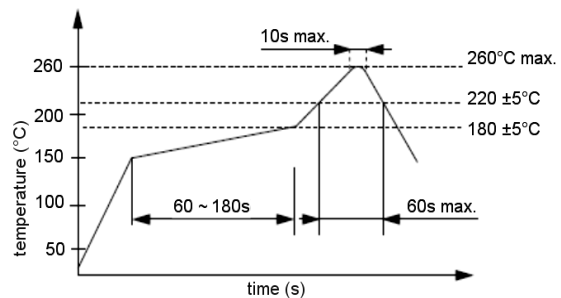
SMD-version

part no.	12.87165
model	KX-327RT
frequency	32.768 kHz
operating temperature	-40° ~ +85°C
frequency tolerance (df/F) at +25°C ±3°C	±20 ppm
temperature tolerance (parabolic coefficient)	-0.036 ppm ± 0.01/°C <sup>2</sup> typ.
turnover temperature	+25°C ±5°C
storage temperature range	-55°C ~ +125°C
load capacitance C <sub>L</sub>	9.0 pF
motional capacitance (C <sub>1</sub> )	7.0 pF typ.
series resonance R1	60k Ohm typ., 70k Ohm max.
aging (df/F) (first year) at 25°C ±3°C	±3 ppm
shunt capacitance C <sub>0</sub>	1.3 pF typ.
drive level	0.5 μW typ.
contents of reel	3000 pcs.

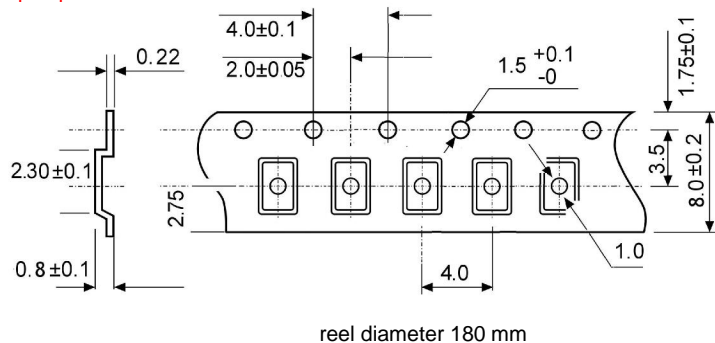
**Dimensions (mm):**



**Reflow soldering condition:**



**Tape specification:**



**Suggested soldering pad:**

