

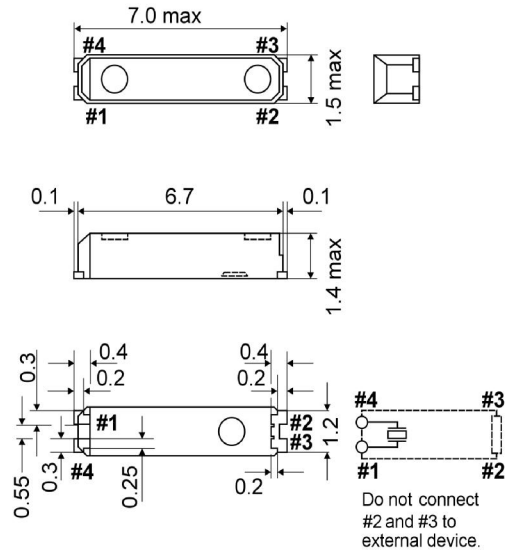


## Tuning Fork Crystal

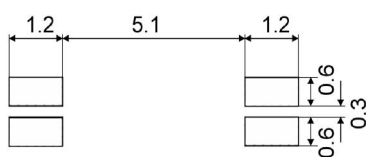
SMD-version

model	KX – 327LT
frequency	32.768 kHz
operating temperature	-40° ~ +85°C
frequency tolerance at +25°C	± 20 ppm
temperature tolerance (parabolic coefficient) at -40° ~ +85°C	-0.035 ppm/°C <sup>2</sup> typ., -0.040 ppm/°C <sup>2</sup> max.
turnover temperature	+25°C ± 5°C
storage temperature range	-55°C ~ +125°C
load capacitance C <sub>L</sub>	9 pF
series resonance R1 max.	65k Ohm max., 50k Ohm typ.
aging at +25°C (first year) max.	± 3 ppm
shunt capacitance C <sub>0</sub> typical	0.8 pF
drive level max.	0.001 mW
contents of reel	3000 pcs.
part no.	12.87137

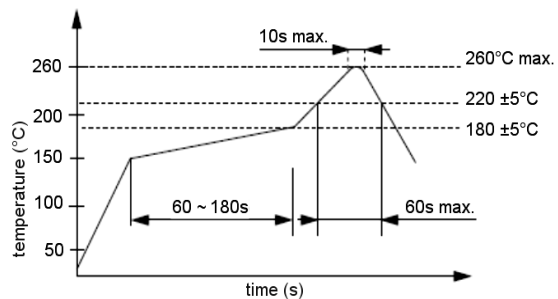
### Dimensions (mm):



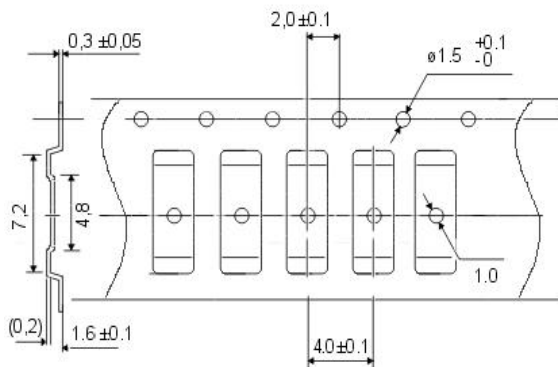
### Suggested soldering pad:



### Reflow soldering condition:



### Tape specification:



reel diameter 180 mm