

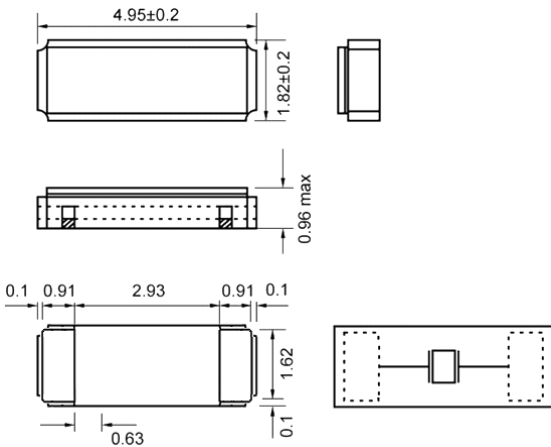


Tuning Fork Crystal

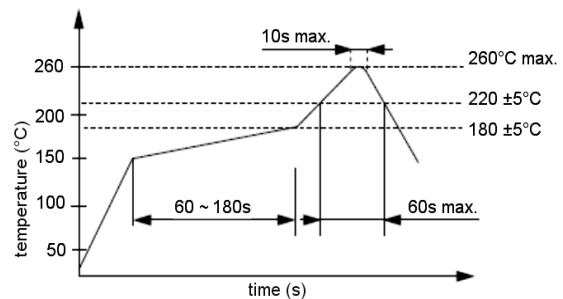
SMD-version

part no.	12.87121
model	KX – 327XST
frequency	32.768 kHz
operating temperature	-40° ~ +85°C
frequency tolerance at +25°C	± 30 ppm
temperature tolerance (parabolic coefficient)	-0.034 ±0,006 ppm/°C ² typ
turnover temperature	+25°C ± 5°C
load capacitance C _L	12.5 pF
series resonance R1 max.	65k Ohm
aging at +25°C (first year) max.	± 3 ppm
shunt capacitance C _O max.	2 pF
drive level max.	0,001 mW
contents of reel	3000 pcs.

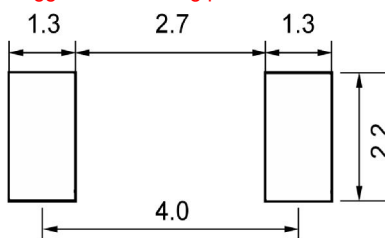
Dimensions (mm):



Reflow soldering condition:



Suggested soldering pad:



Tape specification:

