

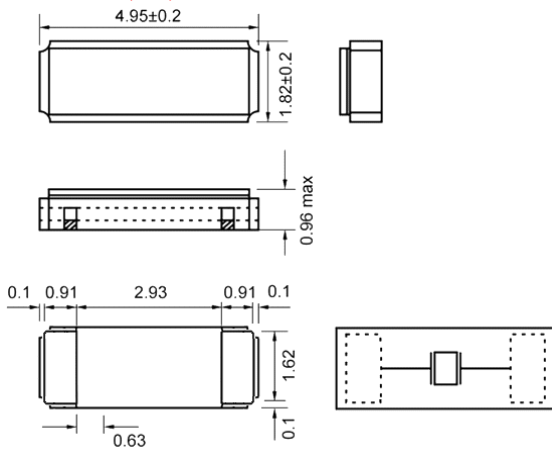


## Tuning Fork Crystal

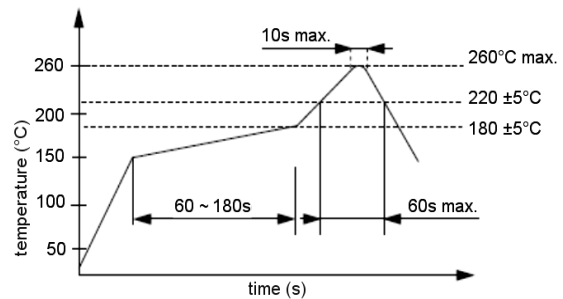
SMD-version

part no.	12.87120
model	KX – 327XS
frequency	32.768 kHz
operating temperature	-20° ~ +70°C
frequency tolerance at +25°C	± 30 ppm
temperature tolerance (parabolic coefficient)	-0.034 ±0,006 ppm/°C <sup>2</sup> typ., -0.042 ppm/°C <sup>2</sup> max.
turnover temperature	+25°C ± 5°C
load capacitance C <sub>L</sub>	12.5 pF
series resonance R1 max.	65k Ohm
aging at +25°C (first year) max.	± 3 ppm
shunt capacitance C <sub>O</sub> max.	2 pF
drive level max.	0.001 mW
contents of reel	3000 pcs.

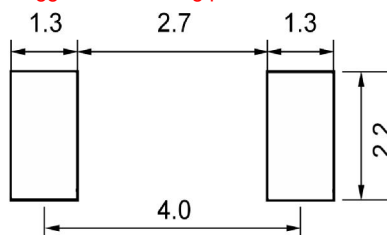
### Dimensions (mm):



### Reflow soldering condition:



### Suggested soldering pad:



### Tape specification:

