



Ceramic Resonator

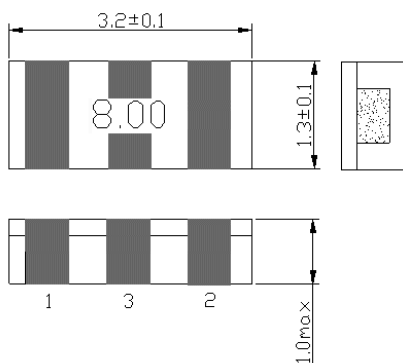
Built-in capacitor types

SMD-version
KX-ZTT CE series

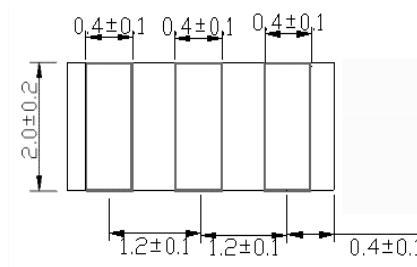
part no.	12.xxxxx
model	KX-ZTT-CE MG
frequency range	8.0 ~ 12.2880 MHz
internal capacitance C ₁ , C ₂	15 pF
frequency tolerance at +25°C	±0.5%
frequency stability at -25 ~ +85C	±0.3%
aging for 10 years	±0.3%
resonant resistance max.	40 Ohm
test circuit IC	TC 74 HCU04
contents of reel	3000 pcs.

* Please note for Ceramic Resonators our „Precautions for Handling“.

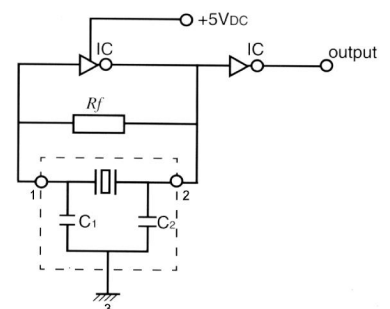
Dimensions (mm):



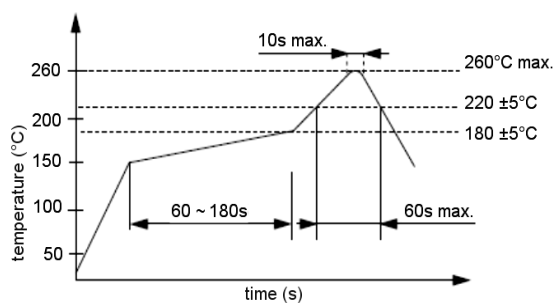
Suggested soldering pad:



Test circuit:



Reflow soldering condition:



Tape specification:

