

DYNAMIS

LEAD-LINE 7-6 S

Rechargeable Sealed Lead-Acid Battery



Specification

Nominal Voltage (V) 6V

Nominal Capacity

20 hour rate (0,35A to 5,25V)	7Ah
10 hour rate (0,7A to 5,25V)	7Ah
5 hour rate (1,19A to 5,25V)	5,95Ah
1C (7A to 4,80V)	3,15Ah
3C (21A to 4,80V)	2,52Ah

Weight 1,385 kg

Internal Resistance (at 1kHz) 8 mΩ

Maximum Discharge Current for 30 seconds: 140A

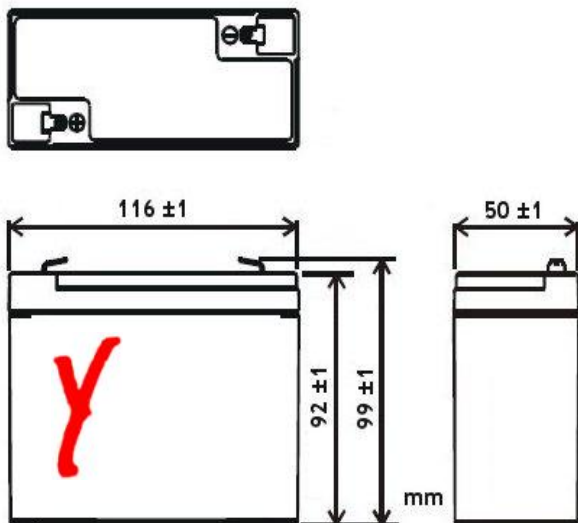
Maximum Discharge Current for 5 seconds: 280A

Operating Temperature Range

Charge	0°C to 40°C
Discharge	-15°C to 50°C
Storage	-15°C to 40°C

Charge Retention (shelf life) at 20°C

1 month	92%
3 month	90%
6 month	80%



Charging Methods at 25°C

Cycle use:

Charging Voltage 7,20 to 7,50V
Maximum Charging Current: 2,1A

Standby use:

Float Charging Voltage 6,75 to 6,90V

Life expectancy:

Cycle Use:

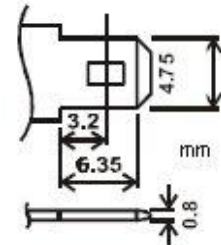
100% depth of discharge 200 cycles
80% depth of discharge 225 cycles
50% depth of discharge 500 cycles

Standby Use: 3 ~ 5 years

Case Material: ABS

(Option: 94-HB & 94V-0 flame retardant case)

Terminal Type: S



Order no. 60.05006

S-pole

Certified according to UL.

