

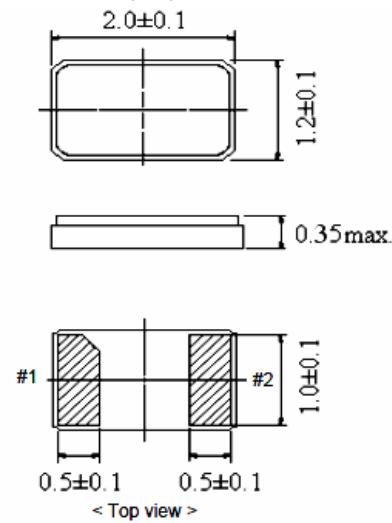


Tuning Fork Crystal

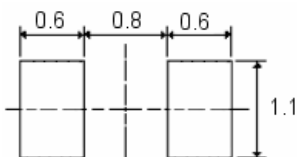
SMD-version

part no.	12.xxxxx
model	KX-327RTS
frequency	32.768 kHz
operating temperature	-40° ~ +85°C
frequency tolerance (df/F) at +25°C ±3°C	±20 ppm
temperature tolerance (parabolic coefficient)	-0.033 ppm ±0.10%/°C ² typ.
turnover temperature	+25°C ±5°C
storage temperature range	-55°C ~ +125°C
load capacitance C _L	standard 12.5 pF available 7 pF, 9 pF
series resonance R1 max.	75k Ohm
aging (df/F) (first year) at 25°C ± 3°C max.	±3 ppm
shunt capacitance C _O	1.0 pF typ.
drive level	0.1 μW typ.
contents of reel	3000 pcs.

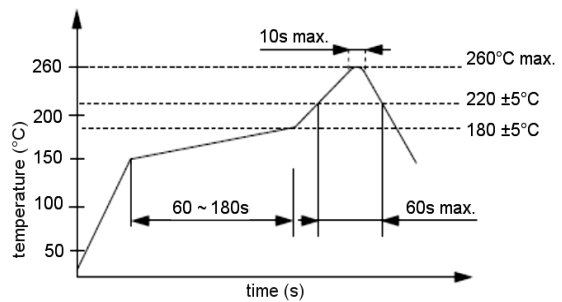
Dimensions (mm):



Suggested soldering pad:



Reflow soldering condition:



Tape specification:

