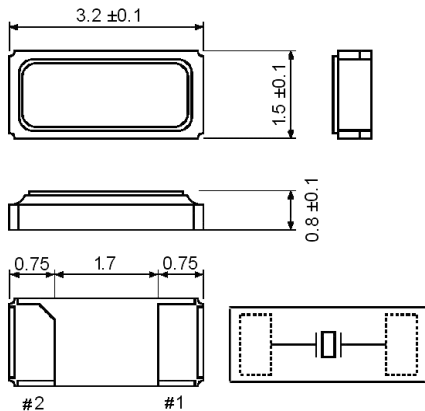


## Quartz Crystal

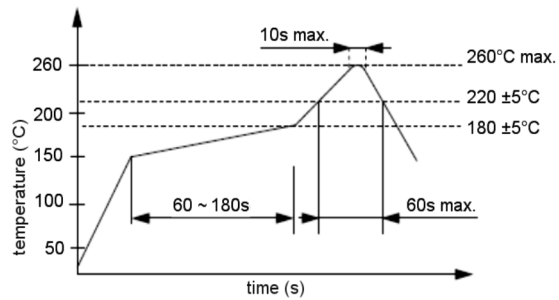
SMD-version

part no.	12.xxxxx
model	KX-327NHF
frequency	32.768 kHz
operating temperature	-40° ~ +125°C
frequency tolerance at +25°C	standard ±20 ppm available ±10 ppm
temperature tolerance (parabolic coefficient)	-0.03 ppm/°C <sup>2</sup> typ.
turnover temperature	+25°C ±5°C
storage temperature range	-55°C ~ +125°C
load capacitance C <sub>L</sub>	standard 12.5 pF available 9 pF
motional capacitance (C1)	0.0036 pF, typ.
series resistance R1 max.	70k Ohm
aging at +25°C (first year) max.	±3 ppm
shunt capacitance C <sub>0</sub>	1.3 pF (1,0 pF typ.)
drive level	0.1 μW typ., 1.0 μW max.
quality factor (Q) min.	20000
reflow soldering condition max.	10 seconds at +260°C (2 times)
AEC-Q200	yes
contents of reel	3000 pcs.

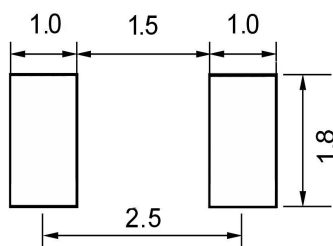
Dimensions (mm):



Reflow soldering condition:



Suggested soldering pad:



Tape specification:

