

Reference Design

ST STM8L052C6 8-Bit Microcontroller

STM8L052C6	
Controller 8-Bit	A ultra-low-Power 8-Bit Microcontroller. Part from the ST- STM8L family.
Specials	<ul style="list-style-type: none"> • LCD: up to 4x28 segments • Five low-power modes • Harvard architecture and 3-stage pipeline • Up to 40 external interrupt sources
Operating Voltage Range	1,8V to 3,6V
Operating Temperatur Range	-40°C to + 85°C
Application	<ul style="list-style-type: none"> • Home automation • Alarms • Thermostats • Small appliances and power tools • Battery-supplied devices • Lighting and Sensors control • Healthcare and fitness smartwatches • Toys and games

Temperature Range for the listed crystals: -40°C to +85°C (Other Temperature Ranges are available)
 CL = Load Capacitance, for which the tolerance of the Crystal is trimmed. An additional capacitance of 4pF for each Pin (C-Stray) of the Quartz is used to calculate C_{in} and C_{out} .

Geyer Crystal 16MHz

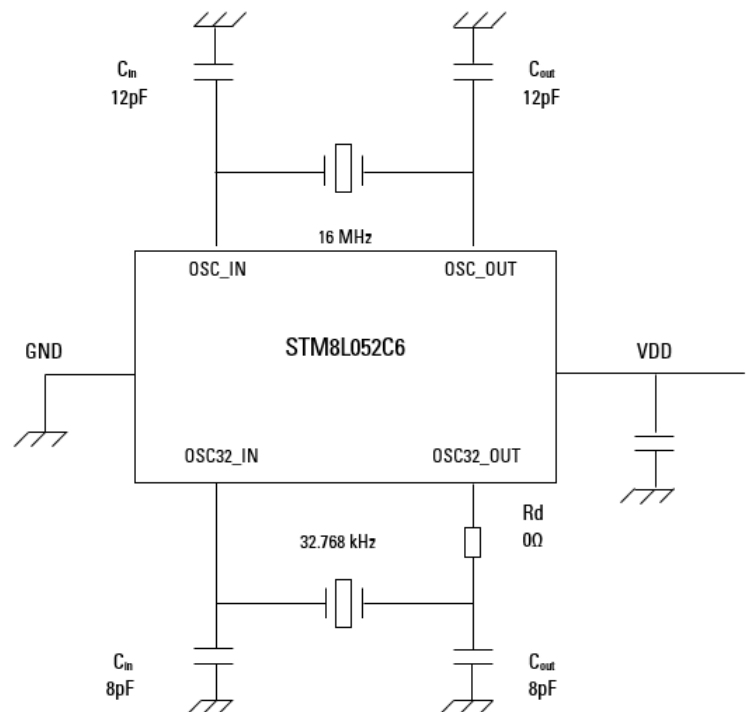
CL=8pF

Size (mm)	Type	Part No.
2.5 x 2.0	KX-6T	12.86560
3.2 x 2.5	KX-7T	12.88765

Geyer Crystal 32.768kHz

CL=6pF

Size (mm)	Type	Part No.
3.2 x 1.5	KX-327NHT	12.87083



Wake up Modes has to be tested on application.

Please contact us to find the right crystal.
 You are welcome, to send us your device,
 and we will Test in our D+T Center,
 if the oscillaton works well
 at your conditions and over temperature.

Caution:

The evaluation results above be used as a reference. The circuit characteristics may differ depending on the board properties. Therefore the end selection of the crystal should be done based on the actual circuit board.