

Reference Design

Microchip 3823 Group 8-Bit Microcontroller with LCD Driver

M38238G8	
Controller 8-Bit	A Single Chip 8-Bit CMOS Microcomputer.
Specials	<ul style="list-style-type: none"> • LCD Drive Control Circuit • 8 Channel AD converter • Serial Interface • Watchdog Timer • ROM Correction Function
Operating Voltage Range	Depends on frequency 1,8V to 5,5V
Operating Temperatur Range	-40°C to + 85°C
Application	<ul style="list-style-type: none"> • Camera • Audio Equipment • Household Appliances • Consumer Electronics

Temperature Range for the listed crystals: -40°C to +85°C (Other Temperature Ranges are available). CL = Load Capacitance, for which the tolerance of the Crystal is trimmed. An additional capacitance of 6pF for each Pin (C-Stray) of the Quartz is used to calculate C_{in} and C_{out}.

Geyer Crystal 10MHz

CL=16pF

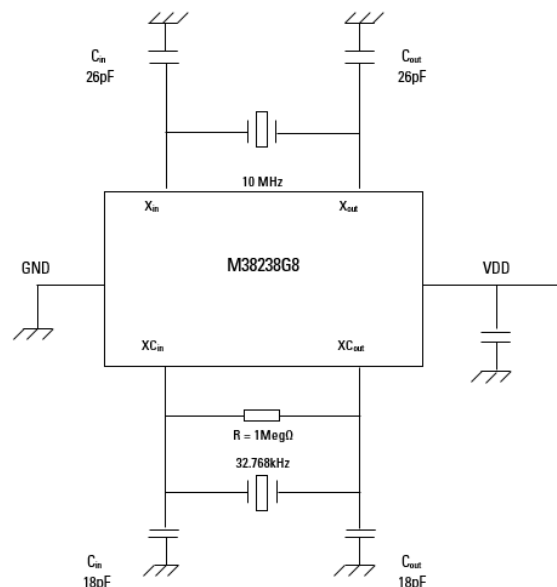
Size (mm)	Type	Temperature	Part No.
3.2 x 2.5	KX-7T	-40°C to +85°C	12.88771

Geyer Crystal 32.768kHz

CL=12,5pF

Size (mm)	Type	Part No.
1.25 x 1.05	KX-327VT	12.87000
1.6 x 1.0	KX-327FT	12.87171
2.0 x 1.2	KX-327RT	12.87167
3.2 x 1.5	KX-327NHT	12.87158

Please contact us to find the right crystal.
You are welcome, to send us your device,
and we will Test in our D+T Center,
if the oscillaton works well
at your conditions and over temperature.



Wake up Mode have to be tested on application.

Caution:

The evaluation results above be used as a reference. The circuit characteristics may differ depending on the board properties. Therefore the end selection of the crystal should be done based on the actual circuit board.