

## Reference Design

Cypress EZ-USB NX2LP      USB – NAND Flash Controller      Networking USB/LAN

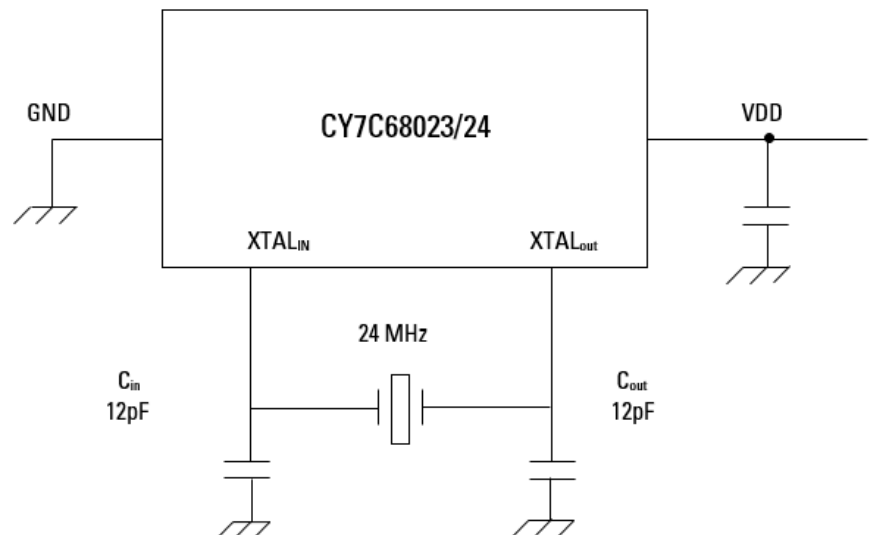
<b>CY7C68023/CY7C6824</b>	
Networking USB / LAN	A Single Chip High-Speed USB NAND Flash Controller, designed to accommodate the higher data rates offered by USB 2.0.
Standard	USB 2.0 Specification
Supported USB Speed	The NX2LP operates at two of the three rates defined in the USB Specification Revision 2.0 (dated April 27, 2000) <ul style="list-style-type: none"> <li>• HIGH-Speed (480Mbps) and</li> <li>• FULL-Speed (12Mbps)</li> </ul> (The NX2LP does not support the low speed signaling rate of 1.5 Mbits/sec.)
NAND Flash Interface	During normal operation the NX2LP supports an 8-bit I/O interface, eight chip enable pins, and other control signals compatible with industry standard NAND Flash devices.
Supply Voltage	3,3V
Operating Temperature Range	0°C to +70°C
Application	Connects NAND Flash devices to a USB host.

CL = Load Capacitance, for which the tolerance of the Crystal is trimmed. Cin and Cout are chosen in accordance to the Cypress CY7C68023/CY7C68024 Specification.

### Geyer Crystal 24MHz

CL=20pF

Size (mm)	Type	Temperature	Part No.
2.0 x 1.6	KX-5	-40°C to +85°C	12.85632
3.2 x 2.5	KX-7	0°C to +70°C	12.60052



Please contact us to find the right crystal.  
 You are welcome, to send us your device,  
 and we will Test in our D+T Center,  
 if the oscillaton works well  
 at your conditions and over temperature.

#### Caution:

The evaluation results above be used as a reference. The circuit characteristics may differ depending on the board properties. Therefore the end selection of the crystal should be done based on the actual circuit board.