

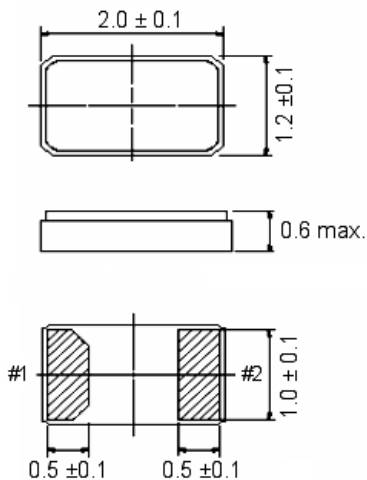


Tuning Fork Crystal

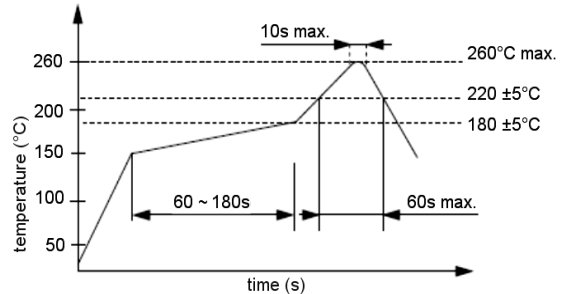
SMD-version

| | |
|---|--------------------------------------|
| part no. | 12.87167 |
| model | KX-327RT |
| frequency | 32.768 kHz |
| operating temperature | -40° ~ +85°C |
| frequency tolerance (df/F) at +25°C ±3°C | ±10 ppm |
| temperature tolerance (parabolic coefficient) | -0.030 ppm ±10%/°C ² typ. |
| turnover temperature | +25°C ±5°C |
| storage temperature range | -55°C ~ +125°C |
| load capacitance C _L | 12.5 pF |
| motional capacitance (C ₁) | 6 fF typ. |
| series resistance R1 | 60k Ohm typ., 70k Ohm max. |
| aging (df/F) (first year) at 25°C ±3°C max. | ±3 ppm |
| shunt capacitance C ₀ | 1.3 pF typ. |
| drive level max. | 1.0 μW |
| contents of reel | 3000 pcs. |

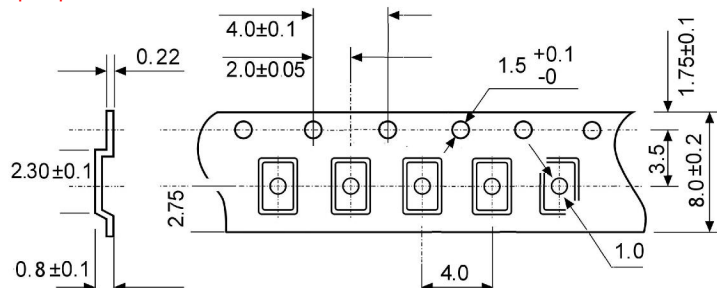
Dimensions (mm):



Reflow soldering condition:



Tape specification:



reel diameter 180 mm

Suggested soldering pad:

