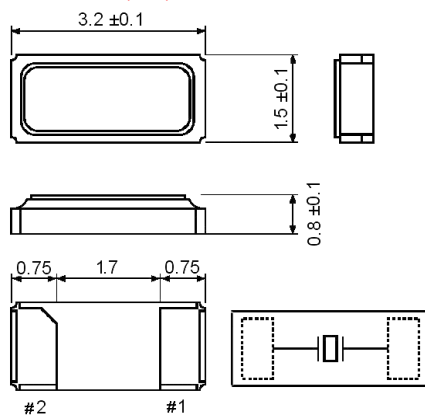


Quartz Crystal

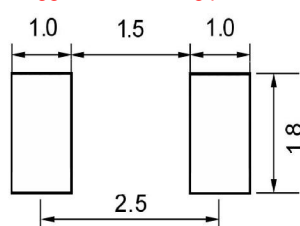
SMD-version

part no.	12.87083
model	KX-327NHT
frequency	32.768 kHz
operating temperature	-40° ~ +85°C
frequency tolerance at +25°C	±20 ppm
temperature tolerance (parabolic coefficient)	-0.035 ppm/°C ² typ.
turnover temperature	+25°C ±5°C
storage temperature range	-55°C ~ +125°C
load capacitance C _L	6 pF
motional capacitance (C1) typ.	0.0036 pF
series resistance R1	70k Ohm
aging at +25°C (first year) max.	±3 ppm
shunt capacitance C ₀	1.3 pF (1.0 pF typ.)
drive level max.	1.0 μW max., 0.1 μW typ
quality factor (Q) min.	20000
contents of reel	3000 pcs.

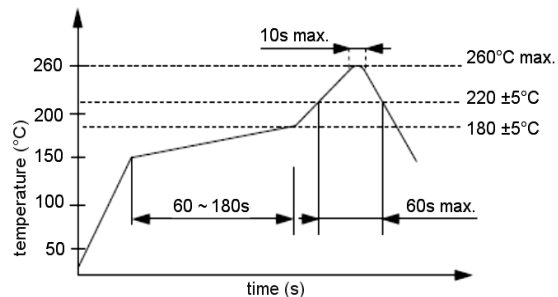
Dimensions (mm):



Suggested soldering pad:



Reflow soldering condition:



Tape specification:

