

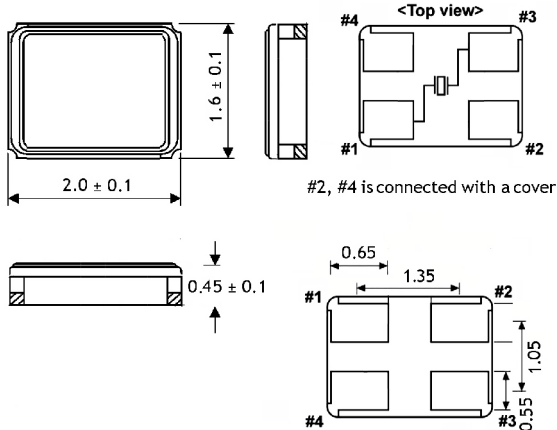


## Quartz Crystal

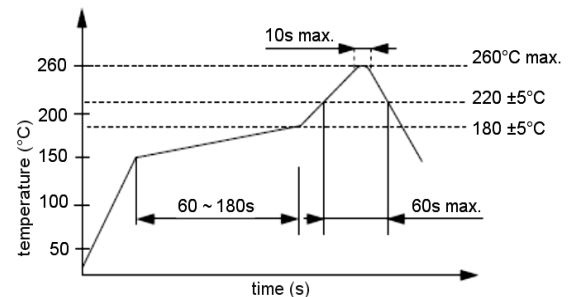
SMD-version

part no.	12.85648
model	KX – 5E
frequency	20.0 MHz
mode	fundamental
operating temperature	-40° ~ +105°C
frequency tolerance at +25°C	±30 ppm
temperature tolerance -40° ~ +105°C	±40 ppm
load capacitance $C_L$	12 pF
series resistance R1 max.	80 Ohm
aging at +25°C (first year) max.	±2 ppm
shunt capacitance $C_0$ max.	3 pF
drive level max.	150 $\mu$ W
contents of reel	1000 pcs.

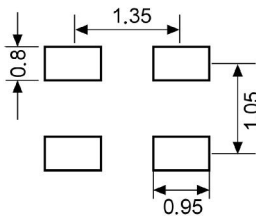
### Dimensions (mm):



### Reflow soldering condition:



### Suggested soldering pad:



### Tape specification:

