

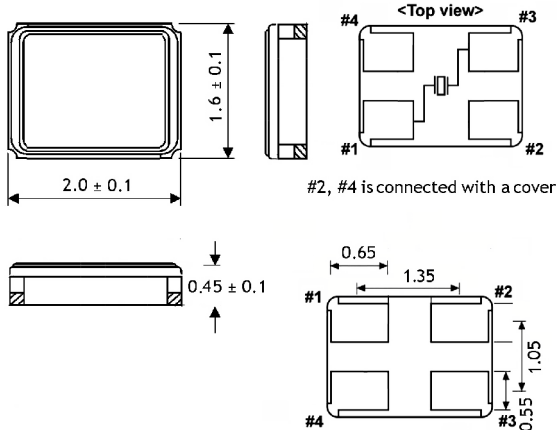


## Quartz Crystal

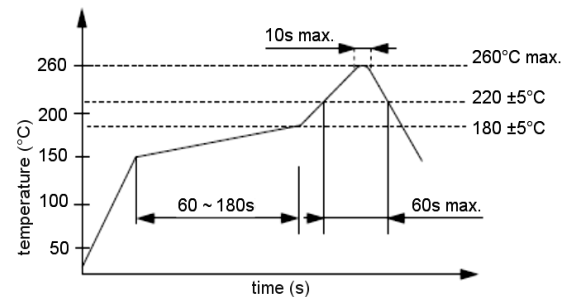
SMD-version

part no.	12.85632
model	KX – 5T
frequency	24.0 MHz
mode	fundamental
operating temperature	-40° ~ + 85°
frequency tolerance at +25°C	20 ppm
temperature tolerance at -40° ~ +85°C	20 ppm
load capacitance $C_L$	20 pF
series resistance R1 max.	80 Ohm
aging at +25°C (first year) max.	±2 ppm
shunt capacitance $C_O$ max.	3.5 pF
drive level max.	100 µW
contents of reel	3000 pcs.

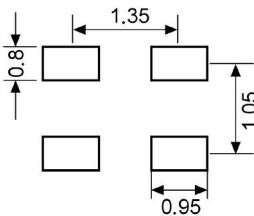
### Dimensions (mm):



### Reflow soldering condition:



### Suggested soldering pad:



### Tape specification:

