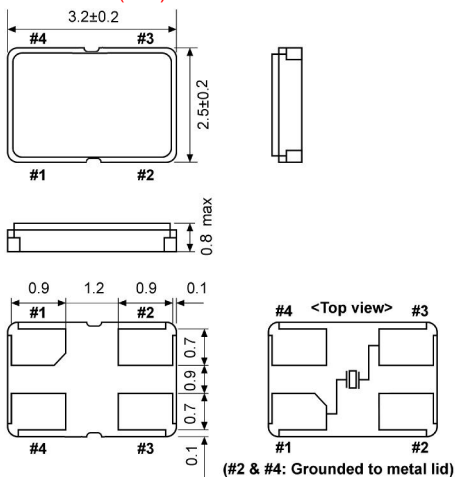


Quartz Crystal

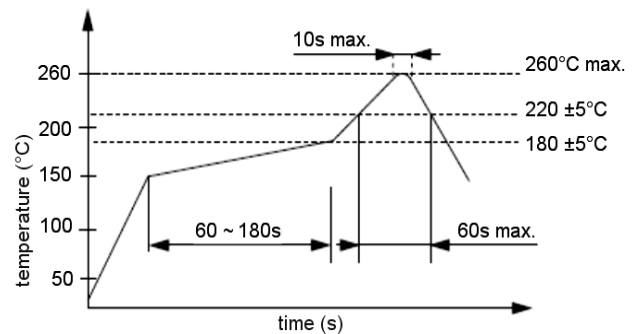
SMD-version

part no.	12.60128
model	KX – 7T
frequency	24.3050 MHz
mode	fundamental
operating temperature	-40° ~ +85°C
frequency tolerance at +25°C	±10 ppm
temperature tolerance -40° ~ +85°C	± 15 ppm
load capacitance C_L	8 pF
series resonance R1 max.	60 Ohm
aging at +25°C max.	±2 ppm / first year ±5 ppm / 5 years
shunt capacitance C_0 max.	3.5 pF
drive level	100 μ W typ., 200 μ W max.
contents of reel	1000 pcs.

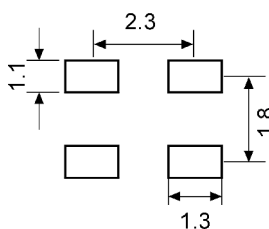
Dimensions (mm):



Reflow soldering condition:



Suggested soldering pad:



Tape specification:

